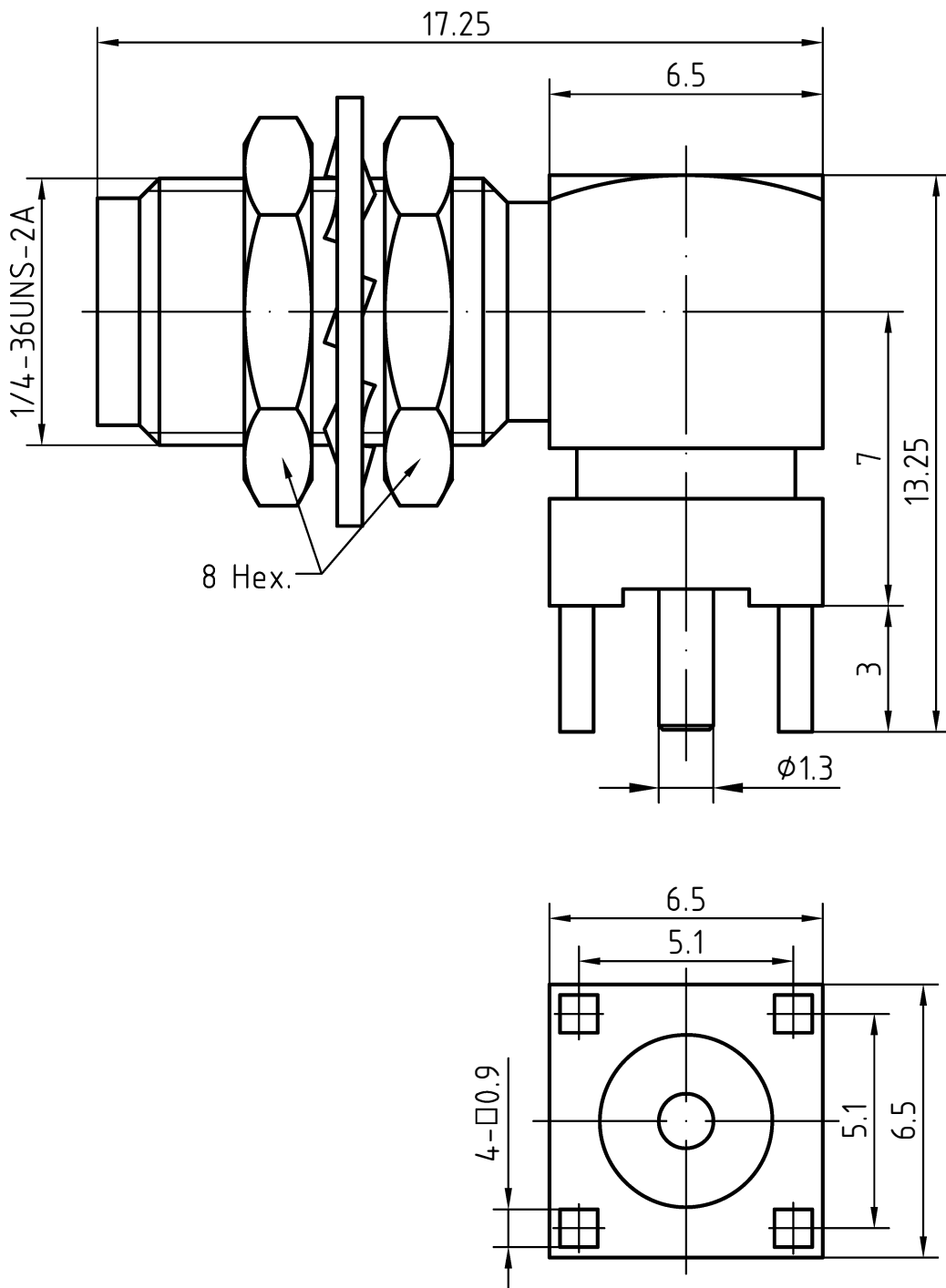


DRAWING



2	1	Body and Nut	Brass/Gold plated	Gold 0.2um over Nickel 2.0um
3	1	Insulator	PTFE	
1	1	Center contact	Beryllium copper/Gold plated	Gold 0.5um over Nickel 2.0um
Itemref	Quantity	Title/Name, designation, material, dimension etc		Article No./Reference

Designed by Mingang Han	Checked by Jinlong Gu	Approved by - date Hongyu Du	File name SMA-KYWHD	Date 07.03.20	Scale 6 : 1
----------------------------	--------------------------	---------------------------------	------------------------	------------------	----------------

Amitron Electronics, Ltd.		SMA-KYWHD	
		http://www.amel.ru	Edition 1.0
			Sheet 1/1

CHARACTERISTICS

DESCRIPTION:

SMA Type female R/A connector for PCB solder legs

Electrical data:

<i>Impedance:</i>	50 ohm
<i>Frequency range:</i>	DC to 18.0 GHz
<i>VSWR:</i>	$\leq 1.04 + 0.025 \times f \text{ [GHz]}$
<i>Insertion loss:</i>	$\leq 0.25 \times \sqrt{f \text{ [GHz]}} \text{ dB}$
<i>Insulation resistance:</i>	$\geq 5000 \text{ M}\Omega$
<i>Test voltage:</i>	1000 V rms
<i>Working voltage:</i>	480 V rms
<i>Contact resistance:</i>	
1). Centre contact:	3.0 m Ω
2). Outer conductor:	2.0 m Ω
<i>Power handling</i> (at 20 °C, sea level, VSWR 1.0)	$\leq 200 \text{ W @ 2 GHz}$;
<i>RF-leakage</i>	$\geq 100 \text{ dB up to 1 GHz}$

- Limitations are possible due to the used cable type -

Environmental data:

<i>Temperature rating:</i>	-65 ° C to +165 ° C
<i>2002/95/EC (RoHS):</i>	Compliant

Mechanical data:

<i>Mating cycles:</i>	≥ 500
<i>Coupling nut retention</i>	$\geq 270 \text{ N}$
<i>Coupling test torque:</i>	$\leq 1.1 \text{ Nm}$
<i>Recommended torque:</i>	0.46 Nm to 0.69 Nm

Suitable cables:

N/A