

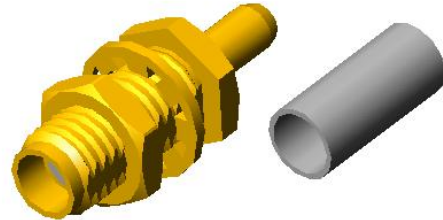
Coaxial Straight Bulkhead Connector: SSMA-KY2.5D

Description

Straight bulkhead jack for Flexible cable

Interface standards

MIL-C-39012



Technical Data

Electrical Data

Impedance	50 Ω
Interface frequency max.	12.4 GHz
VSWR	1.10+0.02 \times f(GHz) max
Voltage rating	500 V(rms)
Test voltage	1000 V(rms)
Contact resistance:	
Center conductor	\leq 4 m Ω
Out conductor	\leq 3 m Ω
Insulation resistance	\geq 5000M Ω

Mechanical Data

Weight	2.5 g
Durability	500 Cycles

Environmental Data

Operating Temperature	-65 $^{\circ}$ C to 165 $^{\circ}$ C
-----------------------	--------------------------------------

Material Data

Piece Parts

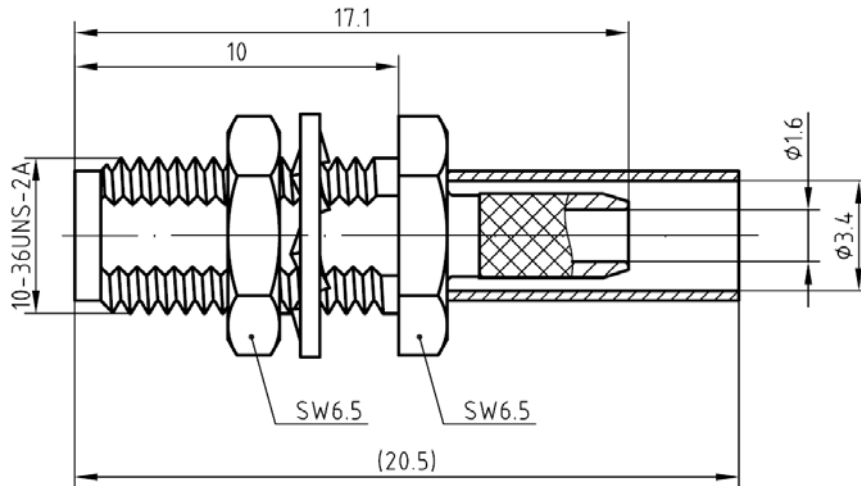
Center contact	Beryllium copper
Body	Brass
Coupling nut	Brass
Insulator	PTFE

Surface Plating(μ m)

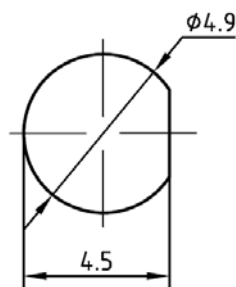
Gold 0.5 over Nickel 2.0
Gold 0.2 over Nickel 2.0
Gold 0.2 over Nickel 2.0

Coaxial Straight Bulkhead Connector: SSMA-KY2.5D

Outline drawing



Mounting hole



Packaging

Standard

100/Box=10 Bag

Other

Contact us