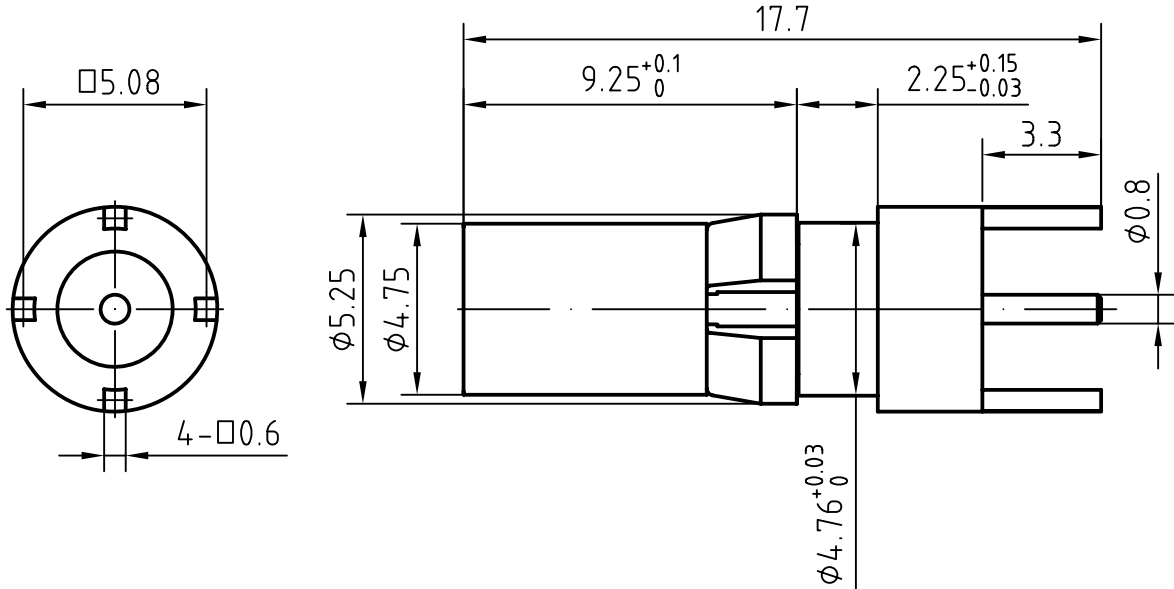
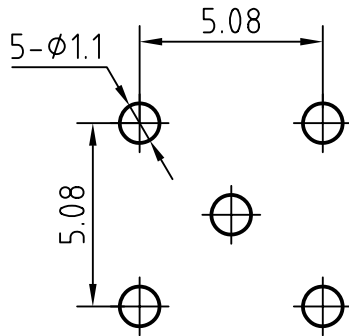


DRAWING



MOUNTING HOLE



4	1	Spring ring	Beryllium copper/Gold plated	Nickel 5um over Copper2um
3	1	Body	Brass/Gold plated	Gold 0.2um over Nickel 2um
2	1	Insulator	PTFE	
1	1	Center contact	Brass/Gold plated	Gold 0.5um over Nickel 2um
Itemref	Quantity	Title/Name, designation, material, dimension etc		Article No./Reference

Designed by Mingang Han	Checked by Jinlong GU	Approved by - date Hongyu Du	File name DKZ-JHD1	Date 09.02.02	Scale 6 : 1
----------------------------	--------------------------	---------------------------------	-----------------------	------------------	----------------

Amitron Electronics, Ltd.

DKZ-JHD1

<http://www.amel.ru>

Edition
1.0
Sheet
1/1

CHARACTERISTICS

DESCRIPTION: DKZ Type male connector

Electrical data:

<i>Impedance:</i>	50 ohm
<i>Frequency range:</i>	DC to 2 GHz
<i>VSWR:</i>	$\leq 1.10 + 0.04Xf[\text{GHz}]$
<i>Insertion loss:</i>	$\leq 0.1X \sqrt{f[\text{GHz}]} \text{dB}$
<i>Insulation resistance:</i>	$\geq 200M\Omega$
<i>Test voltage:</i>	750 V rms
<i>Working voltage:</i>	250 V rms
<i>Contact resistance:</i>	
1). Centre contact:	10.0 m Ω
2). Outer conductor:	3.0 m Ω
<i>RF leakage:</i>	$\geq 80 \text{ dB up to } 0.5 \text{ GHz}$ $\geq 65 \text{ dB up to } 1.5 \text{ GHz}$

Environmental data:

<i>Temperature rating:</i>	-55 ° C to +125 ° C
<i>2002/95/EC (RoHS):</i>	Compliant

Mechanical data:

<i>Mating cycles:</i>	≥ 500
<i>Center contact captivation:</i>	$\geq 10 \text{ N}$
<i>Connector captivation in plastic:</i>	$\geq 52 \text{ N}$
<i>Engaging and disengaging force :</i>	$\leq 10 \text{ N}$

Suitable cables:

N/A