

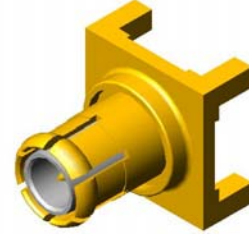
Coaxial Straight PCB Connector: MCX-JHD2

Description

Straight plug receptacle for PCB solder legs

Interface standards

MIL-C-39012



Technical Data

Electrical Data

Impedance	50 Ω
Interface frequency max.	6 GHz
VSWR	1.05+0.05 \times f(GHz) max
Voltage rating	335 V(rms)
Test voltage	750 V(rms)
Contact resistance:	
Center conductor	\leq 5 m Ω
Out conductor	\leq 2.5 m Ω
Insulation resistance	\geq 1000M Ω

Mechanical Data

Weight	0.9 g
Durability	500 Cycles

Environmental Data

Operating Temperature	-65 $^{\circ}$ C to 165 $^{\circ}$ C
-----------------------	--------------------------------------

Material Data

Piece Parts

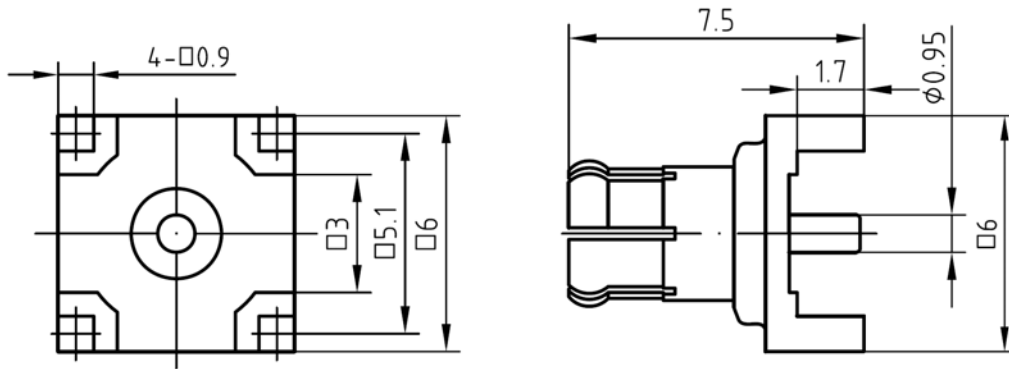
Center contact	Brass
Outer contact	Beryllium copper
Body	Brass
Insulator	PTFE

Surface Plating(μ m)

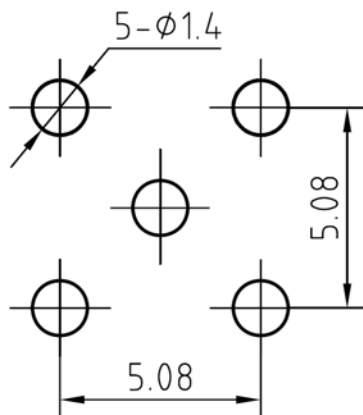
Center contact	Gold 0.5 over Nickel 2.0
Outer contact	Gold 0.5 over Nickel 2.0
Body	Gold 0.2 over Nickel 2.0

Coaxial Straight PCB Connector: MCX-JHD2

Outline drawing



Mounting hole



Packaging

Standard

200/Box=20 Bag

Other

Contact us