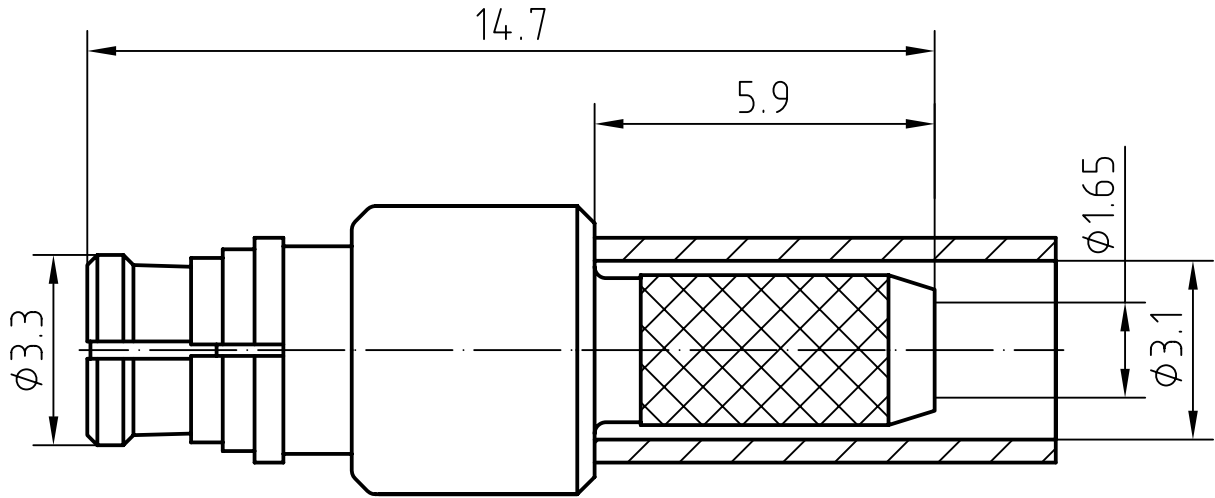
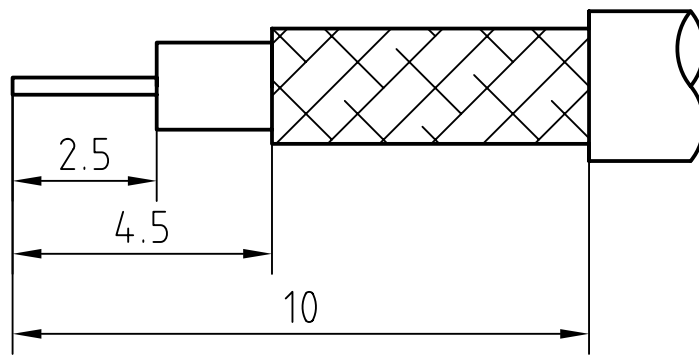


DRAWING



CABLE(RG174A/U, RG188A/U, RG316/U)



4	1	Spring contact	Beryllium copper/Gold plated	Gold 0.2um over Nickel 2um
3	1	Body	Brass/Gold plated	Gold 0.2um over Nickel 2um
2	1	Insulator	PTFE	
1	1	Center contact	Beryllium copper/Gold plated	Gold 0.5um over Nickel 2um

Designed by Mingang Han	Checked by Jinlong Gu	Approved by - date Hongyu Du	File name SMP-K3	Date 07.08.22	Scale 10 : 1
----------------------------	--------------------------	---------------------------------	---------------------	------------------	-----------------

Amitron Electronics, Ltd.	SMP-K3	
	<a href="http://www.amel.ru">http://www.amel.ru</a>	Edition 1.0 Sheet 1/1

## CHARACTERISTICS

DESCRIPTION: SMP Type female connector

### Electrical data:

<i>Impedance:</i>	50 ohm
<i>Frequency range:</i>	DC to 6 GHz
<i>VSWR:</i>	$\leq 1.3:1$
<i>Insertion loss:</i>	$\leq 0.1X \sqrt{f[\text{GHz}]} \text{ dB}$
<i>Insulation resistance:</i>	$\geq 5 \text{ G}\Omega$
<i>Test voltage:</i>	500 V rms
<i>Working voltage:</i>	335 V rms
<i>Contact resistance:</i>	
1). Centre contact:	6.0 m $\Omega$
2). Outer conductor:	2.0 m $\Omega$
<i>Contact Current:</i>	1.2A DC max.

### Environmental data:

<i>Temperature rating:</i>	-65 ° C to +165 ° C
<i>2002/95/EC (RoHS):</i>	Compliant

### Mechanical data:

<i>Mating cycles:</i>	
<i>if mating part is smooth bore:</i>	$\geq 1000$
<i>if mating part is limited detent:</i>	$\geq 500$
<i>if mating part is full detent:</i>	$\geq 100$
<i>Center contact captivation:</i>	$\geq 7 \text{ N(axial)}$
<i>Engagement force:</i>	<i>Disengagement force:</i>
<i>smooth bore:</i> <9N	<i>smooth bore:</i> <2.2N
<i>limited detent:</i> <45N	<i>limited detent:</i> <9N
<i>full detent:</i> <68N	<i>full detent:</i> <22N

### Suitable cables:

RG174A/U, RG188A/U, RG316/U

Amitron Electronics, Ltd.

<http://www.amel.ru>

e-mail: [mailbox@amel.ru](mailto:mailbox@amel.ru)