

Coaxial Cable Connector: BNC-JB3

Description

Straight cable plug solder type cable .141

Interface standards

MIL-C-39012

Technical Data

Electrical Data

| | |
|--------------------------|-------------------------------|
| Impedance | 50 Ω |
| Interface frequency max. | 4 GHz |
| VSWR | 1.05+0.05 \times f(GHz) max |
| Voltage rating | 500 V(rms) |
| Test voltage | 1000 V(rms) |
| Contact resistance: | |
| Center conductor | \leq 1.5m Ω |
| Out conductor | \leq 1.0m Ω |
| Insulation resistance | \geq 5000M Ω |

Mechanical Data

| | |
|------------|------------|
| Weight | 9.5 g |
| Durability | 500 Cycles |

Environmental Data

| | |
|-----------------------|--------------------------------------|
| Operating Temperature | -65 $^{\circ}$ C to 165 $^{\circ}$ C |
|-----------------------|--------------------------------------|

Material Data

Piece Parts

| | |
|----------------|-----------------|
| Center contact | Brass |
| Body | Brass |
| Other pieces | Brass |
| Gasket | Silicone Rubber |
| Insulator | PTFE |

Material

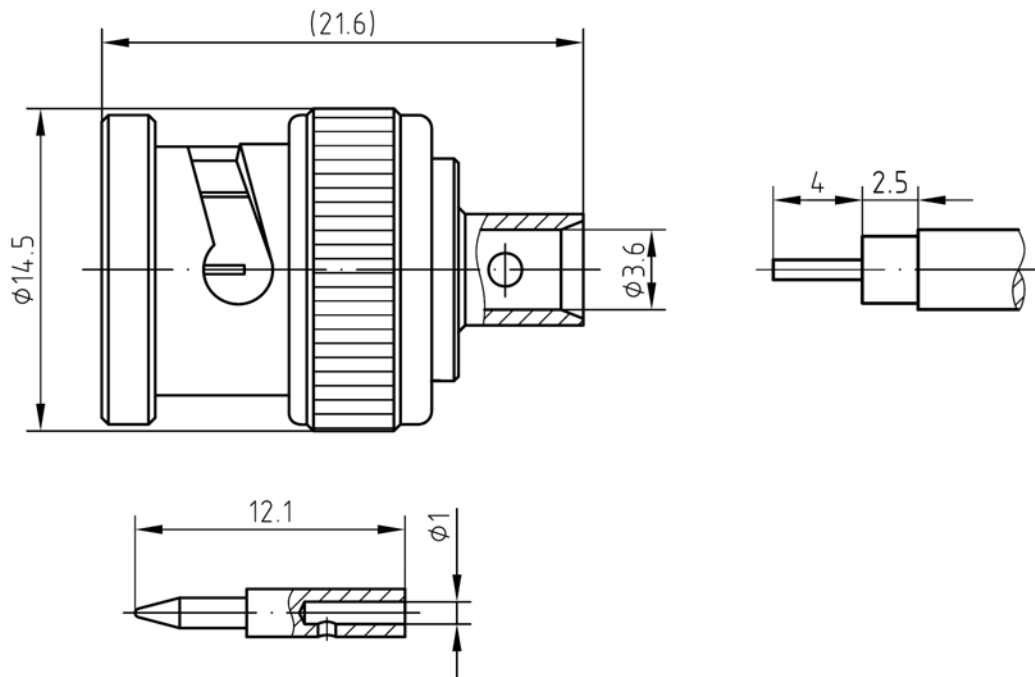
Surface Plating(μ m)

| |
|----------------------------------|
| Gold 0.3 over copper 2.0 |
| White copper 4.0 over copper 1.0 |
| Nickel 7.0 over copper 2.0 |



Coaxial Cable Connector: BNC-JB3

Outline drawing



Packaging

Standard

80/Box= 8 Bag

Other

Contact us