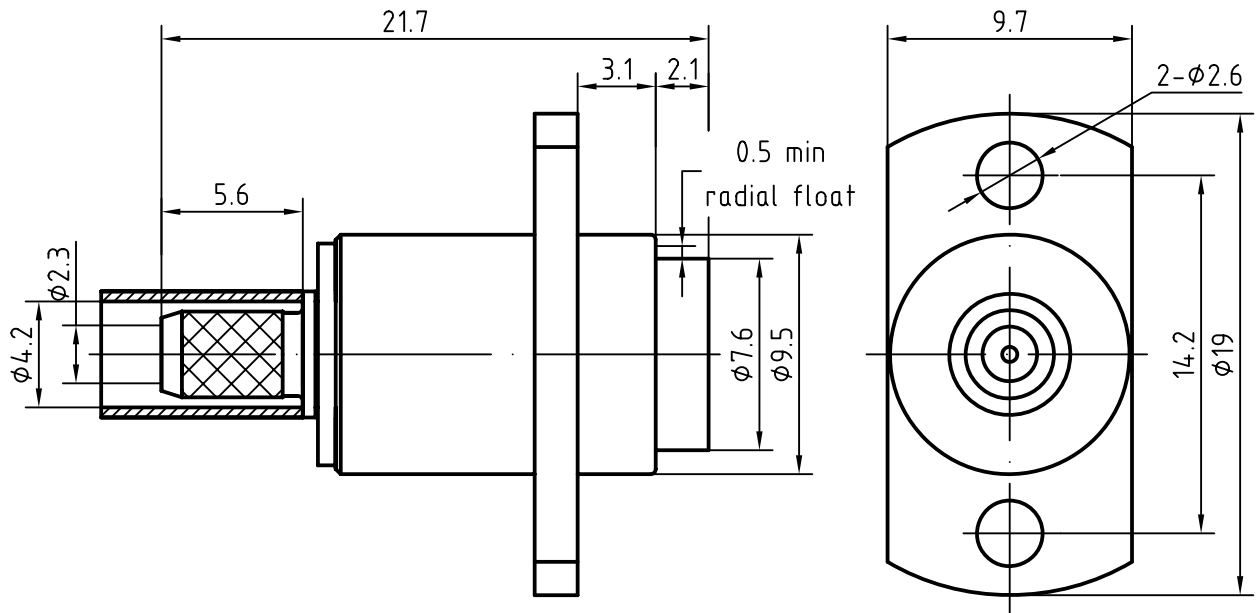
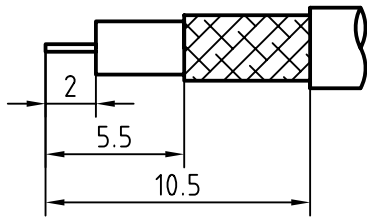


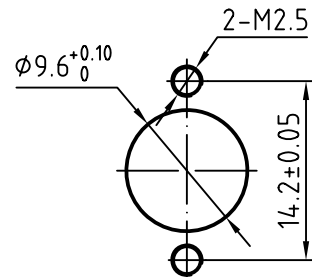
DRAWING



CABLE(SFF-50-2-1)



MOUNTING HOLE



| | | | | |
|---|---|----------------|------------------------------|----------------------------|
| 4 | 1 | Body | Brass/Nickel plated | Nickel 7.0 over Copper 2.0 |
| 3 | 1 | Insulator | PTFE | |
| 2 | 1 | Outer contact | Brass/Gold plated | Gold 0.2 over Nickel 2.0 |
| 1 | 1 | Center contact | Beryllium copper/Gold plated | Gold 0.5 over Nickel 2.0 |

| | | | | | |
|----------------------------|--------------------------|---------------------------------|-----------------------|------------------|----------------|
| Designed by Mingang Han | Checked by Jinlong Gu | Approved by - date Hongyu Du | File name BMA-KF4Y | Date 07.07.25 | Scale 5 : 1 |
|----------------------------|--------------------------|---------------------------------|-----------------------|------------------|----------------|

Amitron Electronics, Ltd.

BMA-KF4Y

<http://www.amel.ru>

Edition
1.0

Sheet
1/1

CHARACTERISTICS

DESCRIPTION: BMA Type female FL connector

Electrical data:

| | |
|-------------------------------|--|
| <i>Impedance:</i> | 50 ohm |
| <i>Frequency range:</i> | DC to 12.4 GHz |
| <i>VSWR:</i> | $\leq 1.06 + 0.03Xf[\text{GHz}]$ |
| <i>Insertion loss:</i> | $\leq 0.05X \sqrt{f[\text{GHz}]} \text{ dB}$ |
| <i>Insulation resistance:</i> | $\geq 5000\text{M}\Omega$ |
| <i>Test voltage:</i> | 1000 V rms |
| <i>Working voltage:</i> | 350 V rms |
| <i>Contact resistance:</i> | |
| 1). Centre contact: | 3.0 m Ω |
| 2). Outer conductor: | 2.0 m Ω |
| <i>RF leakage:</i> | $\leq - (90 - F(\text{GHz})) \text{ dB}$ |

Environmental data:

| | |
|----------------------------|---------------------|
| <i>Temperature rating:</i> | -65 ° C to +165 ° C |
| <i>2002/95/EC (RoHS):</i> | Compliant |

Mechanical data:

| | |
|------------------------------------|----------------------------|
| <i>Mating cycles:</i> | ≥ 500 |
| <i>Center contact captivation:</i> | $\geq 18 \text{ N(axial)}$ |

Suitable cables:

SFF-50-2-1