

## Coaxial Straight Bulkhead Connector: SSMA-KY2

### Description

Straight bulkhead jack for Flexible cable 2/50S

### Interface standards

MIL-C-39012

### Technical Data

#### Electrical Data

Impedance	50 $\Omega$
Interface frequency max.	12.4 GHz
VSWR	1.10+0.02 $\times$ f(GHz) max
Voltage rating	500 V(rms)
Test voltage	1000 V(rms)
Contact resistance:	
Center conductor	$\leq 4$ m $\Omega$
Out conductor	$\leq 3$ m $\Omega$
Insulation resistance	$\geq 5000$ M $\Omega$

#### Mechanical Data

Weight	2.3 g
Durability	500 Cycles

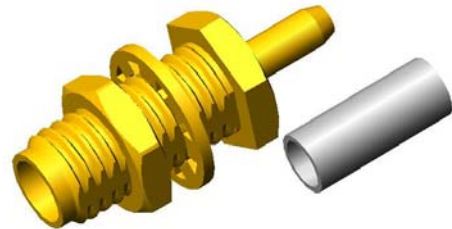
#### Environmental Data

Operating Temperature	-65 $^{\circ}$ C to 165 $^{\circ}$ C
-----------------------	--------------------------------------

#### Material Data

##### Piece Parts

Center contact	Beryllium copper
Body	Brass
Coupling nut	Brass
Insulator	PTFE

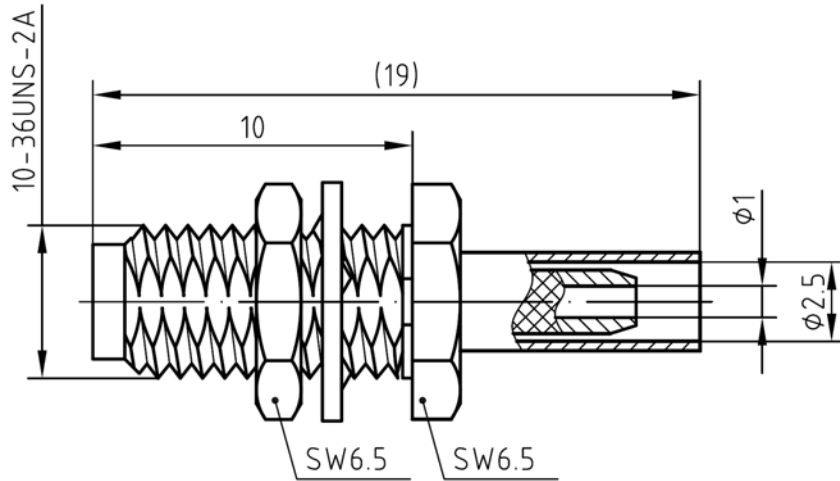


##### Surface Plating( $\mu$ m)

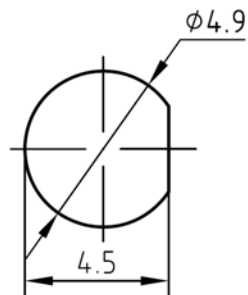
Gold 0.5 over Nickel 2.0
Gold 0.2 over Nickel 2.0
Gold 0.2 over Nickel 2.0

# Coaxial Straight Bulkhead Connector: SSMA-KY2

## Outline drawing



Mounting Hole



## Packaging

Standard

200/Box=20 Bag

Other

Contact us