

Coaxial Cable Connector: N-JW400A

Description

N Type Right angle cable plug for flexible cable LMR400

Interface standards

MIL-C-39012

Technical Data

Electrical Data

Impedance	50 Ω
Interface frequency max.	6 GHz
VSWR	1.05+0.06 \times f (GHz) max
Voltage rating	1000 V(rms)
Test voltage	1500 V(rms)
Contact resistance:	
Center conductor	$\leq 1.0\text{m } \Omega$
Out conductor	$\leq 0.2\text{m } \Omega$
Insulation resistance	$\geq 5000\text{M } \Omega$

Mechanical Data

Weight	62.5 g
Durability	500 Cycles

Environmental Data

Operating Temperature	-65 $^{\circ}\text{C}$ to 165 $^{\circ}\text{C}$
-----------------------	--

Material Data

Piece Parts

Center contact
Body
Gasket
Insulator
Other pieces

Material

Brass
Brass
Silicone Rubber
PTFE
Brass

Surface Plating(μm)

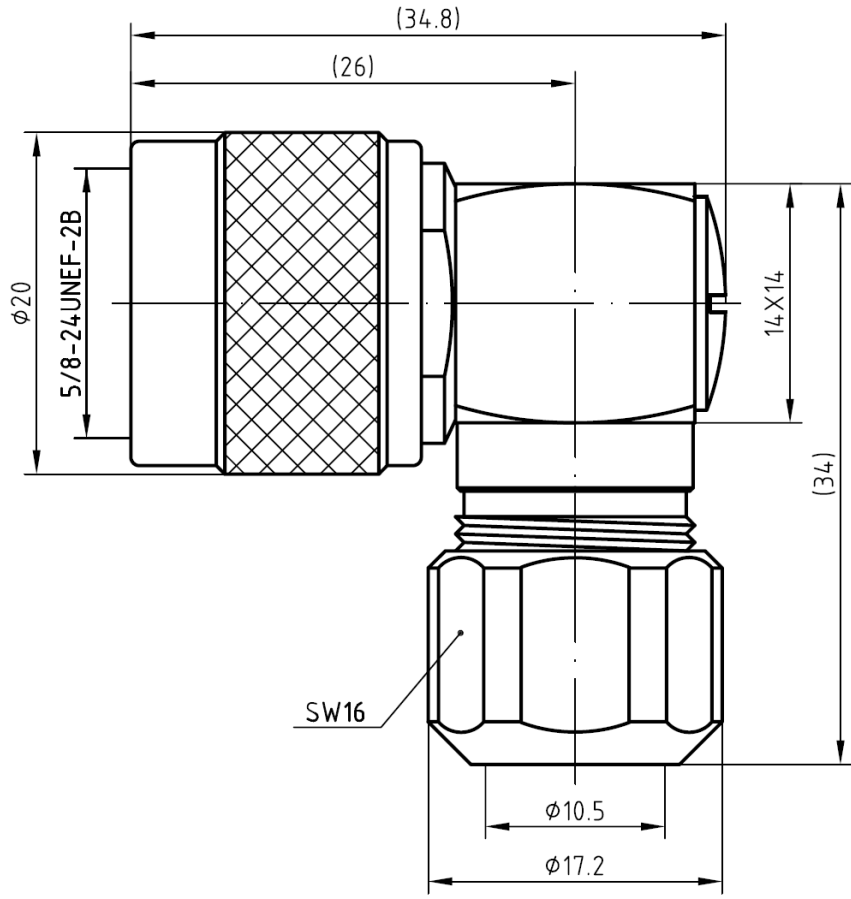
Gold 0.3 over Nickel 2.0
Nickel 7.0 over copper 2.0

Nickel 7.0 over copper 2.0



Coaxial Cable Connector: N-JW400A

Outline drawing



Packaging

Standard
Other

40/Box=4 Bag
Contact us