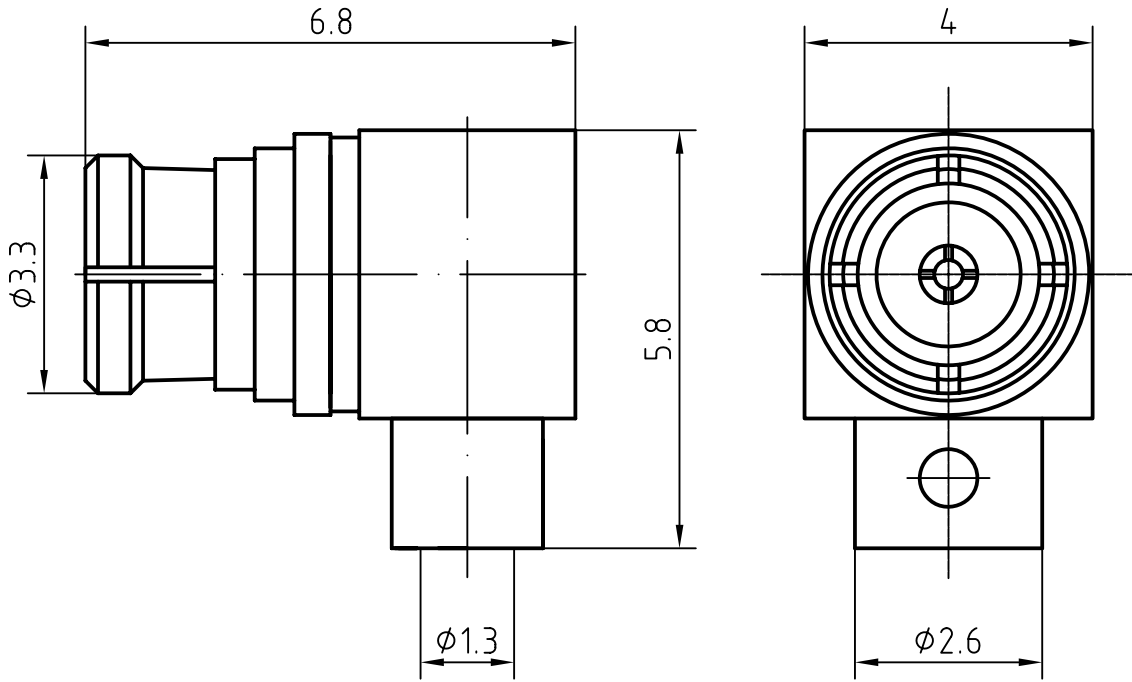
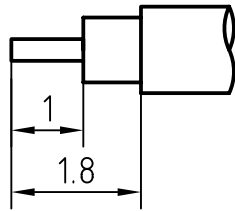


DRAWING



CABLE(.047,670-047,SM047)



4	1	Outer contact	Beryllium copper/Gold plated	Gold 0.2um over Nickel 2um
3	1	Body	Brass/Gold plated	Gold 0.2um over Nickel 2um
2	1	Insulator	PTFE	
1	1	Center contact	Beryllium copper/Gold plated	Gold 0.5um over Nickel 2um

Designed by Mingang Han	Checked by Jinlong Gu	Approved by - date Hongyu Du	File name SMP-KWB1A	Date 07.08.22	Scale 10 : 1
----------------------------	--------------------------	---------------------------------	------------------------	------------------	-----------------

Amitron Electronics, Ltd.

SMP-KWB1A

<http://www.amel.ru>

Edition 1.0	Sheet 1/1
----------------	--------------

# CHARACTERISTICS

DESCRIPTION: SMP Type female R/A connector for .047

## Electrical data:

Impedance:	50 ohm
Frequency range:	DC to 26.5 GHz
VSWR:	$\leq 1.06 + 0.02Xf[\text{GHz}]$
Insertion loss:	$\leq 0.1X\sqrt{f[\text{GHz}]} \text{ dB, DC-12GHz}$
Insulation resistance:	$\geq 5000M\Omega$
Test voltage:	500 V rms
Working voltage:	335 V rms
Contact resistance:	
1). Centre contact:	6.0 m $\Omega$
2). Outer conductor:	2.0 m $\Omega$

## Environmental data:

Temperature rating:	-65 ° C to +165 ° C
2002/95/EC (RoHS):	Compliant

## Mechanical data:

Mating cycles:	
- if mating part is smooth bore:	$\geq 1000$
- if mating part is limited detent:	$\geq 500$
- if mating part is full detent:	$\geq 100$
Center contact captivation:	$\geq 7 \text{ N(axial)}$
Engagement force:	
- smooth bore:	$\leq 9 \text{ N.}$
- limited detent:	$\leq 45 \text{ N.}$
- full detent:	$\leq 68 \text{ N.}$
Disengagement force:	
- smooth bore:	$\geq 2.2 \text{ N.}$
- limited detent:	$\geq 9 \text{ N.}$
- full detent:	$\geq 22 \text{ N.}$

## Suitable cables:

.047/670-047/SM047