

Coaxial Right Angle PCB Connector: RF6-KWHDY

Description

Right Angle jack receptacle for PCB solder legs

Interface standards

Γ O C T 20265

Technical Data

Electrical Data

Impedance	50 Ω
Interface frequency max.	6 GHz
VSWR	1.08+0.05×f(GHz) max
Voltage rating	500 V(rms)
Test voltage	1000 V(rms)
Contact resistance:	
Center conductor	≤3m Ω
Out conductor	≤2m Ω
Insulation resistance	≥5000M Ω

Mechanical Data

Center contact retention	
Axial force – Mating end	27 N min
Axial force – Opposite end	27 N min
Torque	2.8 N.cm min
Weight	3.40g
Durability	500 Cycles

Environmental Data

Operating Temperature	-65 °C to 165 °C
-----------------------	------------------

Material Data

Piece Parts

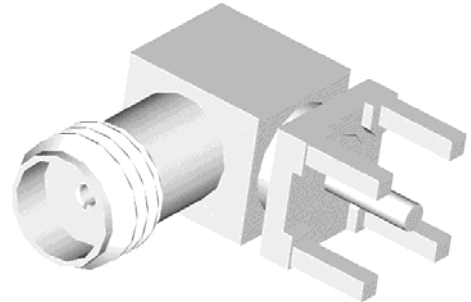
Body
Center contact
Insulator

Material

Brass
Beryllium copper
PTFE

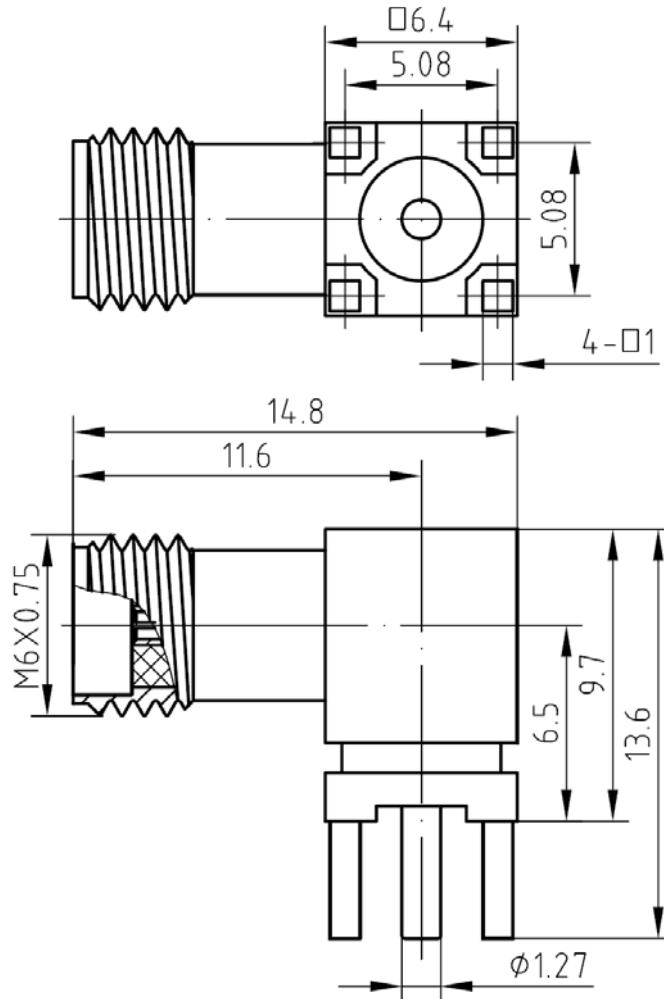
Surface Plating(μ m)

Silver 7.0 over copper 2.0
Silver 7.0 over copper 2.0



Coaxial Right Angle PCB Connector: RF6-KWHDY

Outline drawing



Packaging

Standard

250/Box=25Bag

Other

Contact us