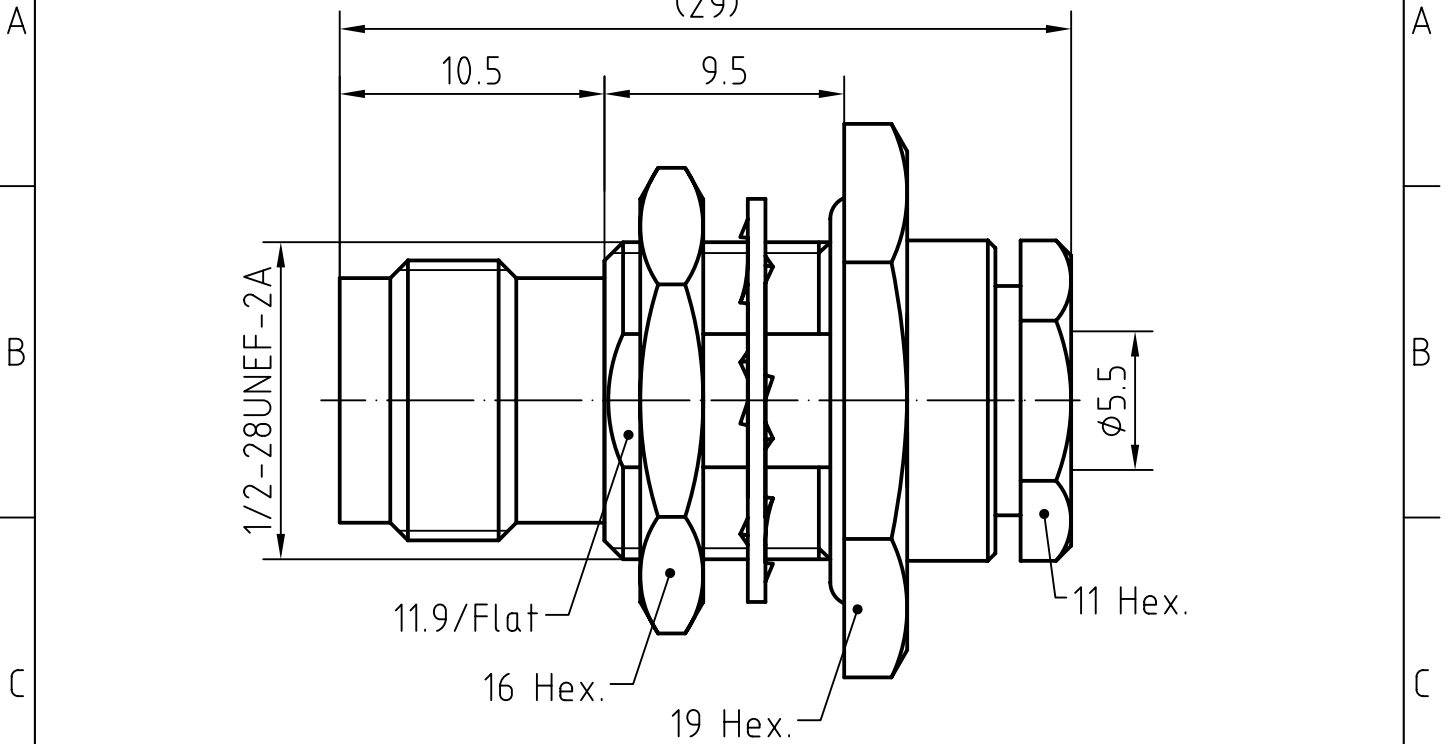
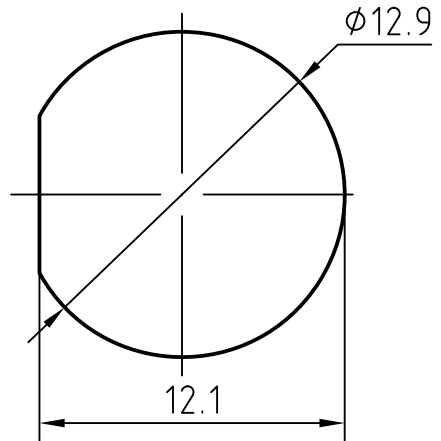
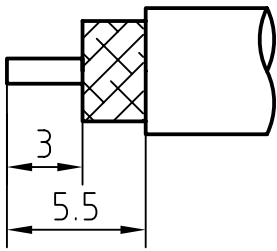


DRAWING



CABLE(RG58/U, RG142B/U, RG223/U, RG400/U)

MOUNTING HOLE



5	1	O ring	Silicone rubber	
4	1	Lockwasher	Phosphor bronze/Gold plated	Nickel 5um over Copper 2um
3	1	Body and Nut	Brass/Nickel plated	Nickel 5um over Copper 2um
2	1	Insulator	PTFE	
1	1	Centor contact	Phosphor bronze/Gold plated	Gold 0.2um over Nickel 2um
Itemref	Quantity	Title/Name, designation, material, dimension etc		Article No./Reference

Designed by Mingang Han	Checked by Jinlong GU	Approved by - date Hongyu Du	File name TNC-KY5	Date 10.03.05	Scale 4 : 1
----------------------------	--------------------------	---------------------------------	----------------------	------------------	----------------

Amitron Electronics, Ltd.	TNC-KY5	
	<a href="http://www.amel.ru">http://www.amel.ru</a>	Edition 1.0 Sheet 1/1

## CHARACTERISTICS

DESCRIPTION: TNC Type female BH connector

### Electrical data:

<i>Impedance:</i>	<i>50 ohm</i>
<i>Frequency range:</i>	<i>DC to 10 GHz</i>
<i>VSWR:</i>	$\leq 1.08 + 0.025Xf[\text{GHz}]$
<i>Insertion loss:</i>	$\leq 0.08X \sqrt{f[\text{GHz}]} \text{ dB}$
<i>Insulation resistance:</i>	$\geq 5000\text{M}\Omega$
<i>Test voltage:</i>	<i>1500 V rms</i>
<i>Working voltage:</i>	<i>500 V rms</i>
<i>Contact resistance:</i>	
1). <i>Centre contact:</i>	<i>1.5 m<math>\Omega</math></i>
2). <i>Outer conductor:</i>	<i>1.0 m<math>\Omega</math></i>
<i>Power handling (at 20 ° C, sea level, VSWR 1.0):</i>	$\leq 80 \text{ W @ } 2 \text{ GHz}$

### Environmental data:

<i>Temperature rating:</i>	<i>-65 ° C to +165 ° C</i>
<i>2002/95/EC (RoHS):</i>	<i>Compliant</i>

### Mechanical data:

<i>Mating cycles:</i>	$\geq 500$
<i>Center contact captivation:</i>	$\geq 15 \text{ N(axial)}$
<i>Coupling test torque:</i>	$\leq 1.7 \text{ Nm}$
<i>Recommended torque:</i>	<i>0.46 Nm to 0.69 Nm</i>

### Suitable cables:

*RG58/U, RG142B/U,  
RG213/U, RG400/U*