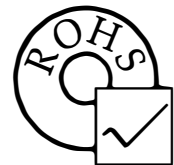
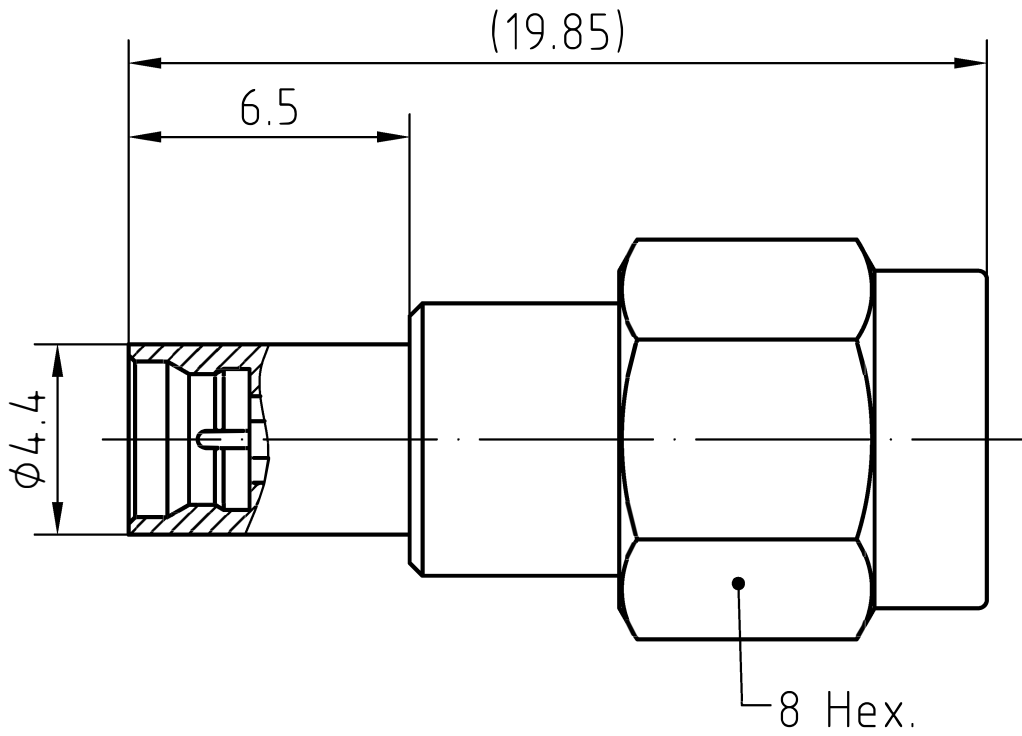


DRAWING



1	1	Body	Brass/Gold plated	Gold 0.3um over Nickel 2.0um
2	1	Insulator	PTFE	
1	1	Center contact	Brass/Gold plated	Gold 0.5um over Nickel 2.0um
Itemref	Quantity	Title/Name, designation, material, dimension etc		Article No./Reference

Designed by Mingang Han	Checked by Jinlong Gu	Approved by - date Hongyu Du	File name SMA/SMP-JJ	Date 12.02.20	Scale 1:1
----------------------------	--------------------------	---------------------------------	-------------------------	------------------	--------------

Amitron Electronics, Ltd.	SMA/SMP-JJ			
	http://www.amel.ru	Edition 1.0	Sheet 1/1	

CHARACTERISTICS

DESCRIPTION: ADAPTOR SMA PLUG TO SMP PLUG

Electrical data:

<i>Impedance:</i>	50 ohm
<i>Frequency range:</i>	DC to 18 GHz
<i>Return loss:</i>	≥25dB, DC-4GHz ≥20dB, 4-10GHz ≥15dB, 10-18GHz
<i>Insertion loss:</i>	≤0.20 X √f[GHz] dB
<i>Insulation resistance:</i>	≥5000MΩ
<i>Test voltage:</i>	500 V rms
<i>Working voltage:</i>	335 V rms
<i>Contact resistance:</i>	
1). Centre contact:	≤6.0 mΩ, SMP side; ≤3 mΩ, SMA side
2). Outer conductor:	≤2.0 mΩ, SMP side; ≤2 mΩ, SMA side

Mechanical data:

	SMA	SMP
<i>Mating cycles:</i>	≥500	
<i>if mating part is smooth bore:</i>		≥1000
<i>if mating part is limited detent:</i>		≥500
<i>if mating part is full detent:</i>		≥100
<i>Center contact captivation:</i>	≥10 N(axial)	≥10 N(axial)
<i>Engagement force:</i>		N/A
- smooth bore :		≤9 N.
- limited detent:		≤45 N.
- full detent:		≤68 N.
<i>Disengagement force:</i>		
- smooth bore :		≥2.2 N.
- limited detent:		≥9 N.
- full detent:		≥22 N.
<i>Recommended torque:</i>	0.46 Nm to 0.69 Nm	