

# Coaxial Between Series Adapter: 7/16/N-KJ

## Description

Adaptor 7/16 jack (female) / N plug (male)

## Interface standards

MIL-C-39012

## Technical Data

### Electrical Data

Impedance	50 $\Omega$
Interface frequency max.	7.5 GHz
VSWR	$1.05+0.02 \times f$ (GHz) max
Voltage rating	1000 V(rms)
Test voltage	2500 V(rms)
Contact resistance:	
Center conductor	$\leq 2$ m $\Omega$
Out conductor	$\leq 0.5$ m $\Omega$
Insulation resistance	$\geq 5000$ M $\Omega$

### Mechanical Data

Weight	93 g
Durability	500 Cycles

### Environmental Data

Operating Temperature	-65 $^{\circ}$ C to 165 $^{\circ}$ C
-----------------------	--------------------------------------

### Material Data

#### Piece Parts

Center contact	Phosphor bronze
Outer contact	Brass
Nut	Brass
Insulator	PTFE
Gasket	Silicone Rubber

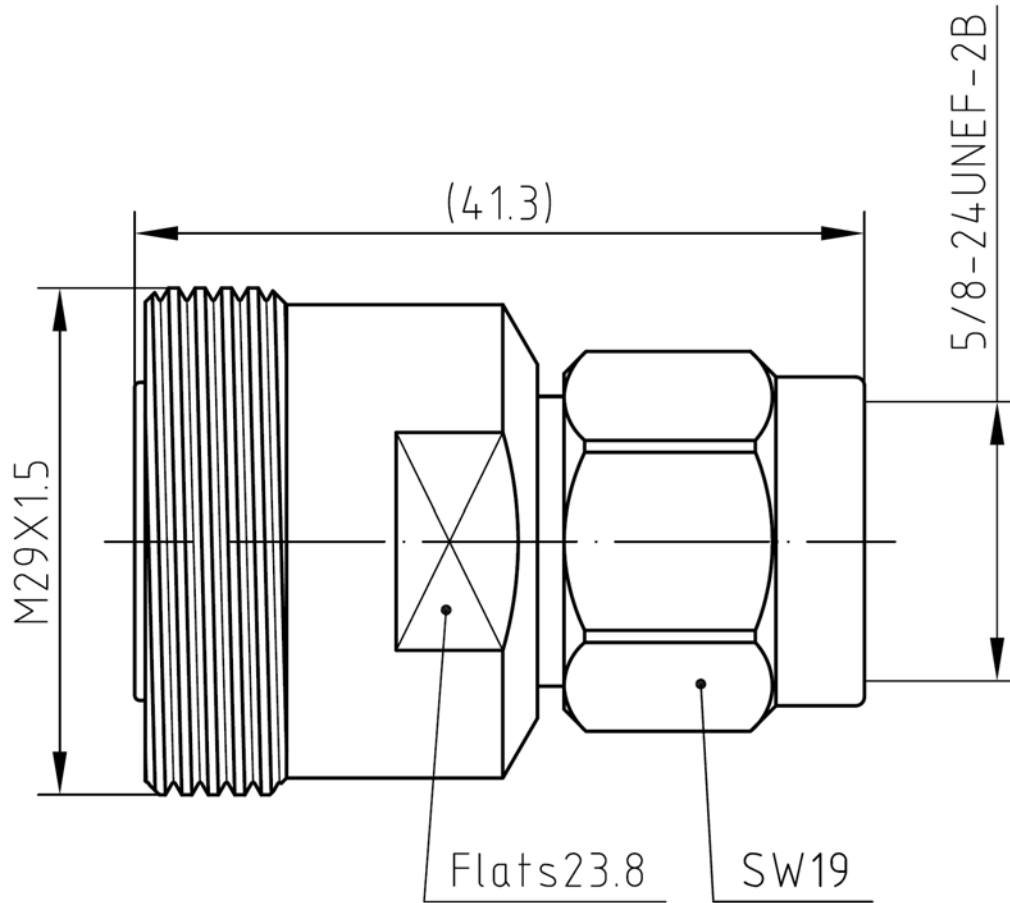
#### Surface Plating( $\mu$ m)

Silver 6.0 over copper 2.0
White copper 4.0 over silver 2.0
White copper 4.0 over copper 1.0



# Coaxial Between Series Adapter: 7/16/N-KJ

## Outline drawing



## Packaging

Standard

20/Box=20 Bag

Other

Contact us