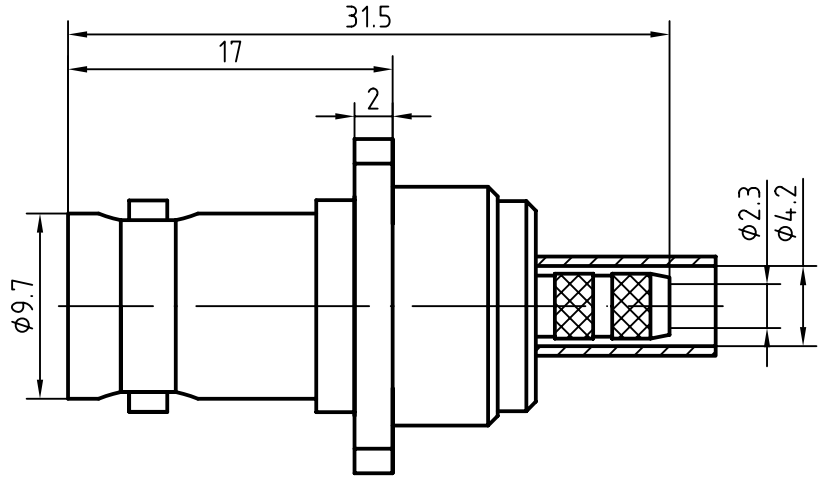
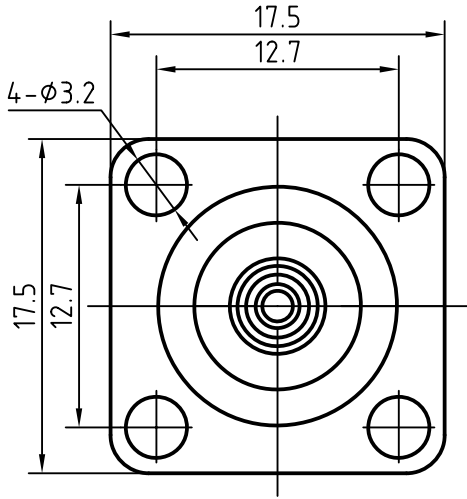
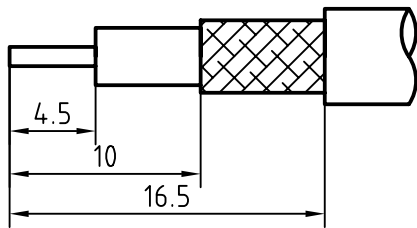


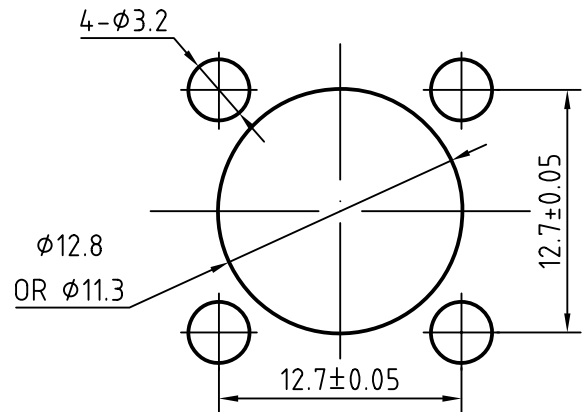
DRAWING



CABLE(SFF-50-2-1)



MOUNTING HOLE



| 3       | 1        | Body   | Brass/Neckel plated         | Nickel 5um over Copper 2um |
|---------|----------|--|-----------------------------|----------------------------|
| 2       | 1        | Insulator  | PTFE                        |                            |
| 1       | 1        | Centor contactor                                 | Phosphor bronze/Gold plated | Gold 0.2um over Nickel 2um |
| Itemref | Quantity | Title/Name, designation, material, dimension etc |                             | Article No./Reference      |

|                            |                          |                                 |                       |                  |                |
|----------------------------|--------------------------|---------------------------------|-----------------------|------------------|----------------|
| Designed by<br>Mingang Han | Checked by<br>Jinlong GU | Approved by - date<br>Hongyu Du | File name<br>BNC-KF4Y | Date<br>06.07.03 | Scale<br>4 : 1 |
|----------------------------|--------------------------|---------------------------------|-----------------------|------------------|----------------|

|                           |   |                |              |
|---------------------------|---|----------------|--------------|
| Amitron Electronics, Ltd. | BNC-KF4Y  |                |              |
|                           | <a href="http://www.amel.ru">http://www.amel.ru</a> | Edition<br>1.0 | Sheet<br>1/1 |

## CHARACTERISTICS

DESCRIPTION: BNC Type female FL connector

### Electrical characteristics:

|  |  |
|--|--|
| <i>Impedance:</i>                                      | 50 ohm   |
| <i>Frequency range:</i>                                | DC to 4 GHz                                    |
| <i>VSWR:</i>   | $\leq 1.08 + 0.05Xf[\text{GHz}]$               |
| <i>Insertion loss:</i>                                 | $\leq 0.08 X \sqrt{f} [\text{GHz}] \text{ dB}$ |
| <i>Insulation resistance:</i>                          | $\geq 5000M\Omega$                             |
| <i>Test voltage:</i>                                   | 1500 V rms                                     |
| <i>Working voltage:</i>                                | 400 V rms                                      |
| <i>Contact resistance:</i>                             |  |
| 1). <i>Centre contact:</i>                             | 1.5 m $\Omega$                                 |
| 2). <i>Outer conductor:</i>                            | 1.0 m $\Omega$                                 |
| <i>Power handling (at 20 °C, sea level, VSWR 1.0):</i> | 80 W @ 2 GHz                                   |

### Environmental data:

|                            |                     |
|----------------------------|---------------------|
| <i>Temperature rating:</i> | -55 ° C to +165 ° C |
| <i>52/95/EC (RoHS):</i>    | Compliant           |

### Mechanical data:

|                                    |                            |
|------------------------------------|----------------------------|
| <i>Mating cycles:</i>              | $\geq 500$                 |
| <i>Center contact captivation:</i> | $\geq 15 \text{ N(axial)}$ |

### Suitable cables:

SFF-50-2-1