

Coaxial Straight Connector: SMA-K3

Description

Straight jack for Flexible cable 2.5/3/50S

Interface standards

MIL-C-39012

Technical Data

Electrical Data

Impedance	50 Ω
Interface frequency max.	12.4 GHz
VSWR	1.10+0.025 \times f(GHz) max
Voltage rating	500 V(rms)
Test voltage	1000 V(rms)
Contact resistance:	
Center conductor	≤ 3 m Ω
Out conductor	≤ 2 m Ω
Insulation resistance	≥ 5000 M Ω

Mechanical Data

Weight	3.3 g
Durability	500 Cycles

Environmental Data

Operating Temperature	-65 $^{\circ}$ C to 165 $^{\circ}$ C
-----------------------	--------------------------------------

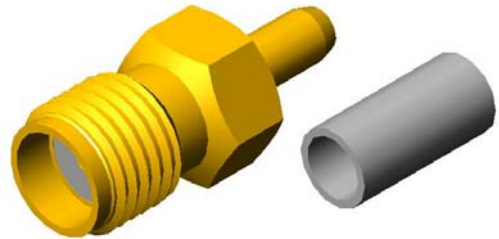
Material Data

Piece Parts

Center contact
Body
Insulator
Crimp ferrules

Material

Beryllium copper
Brass
PTFE
Brass

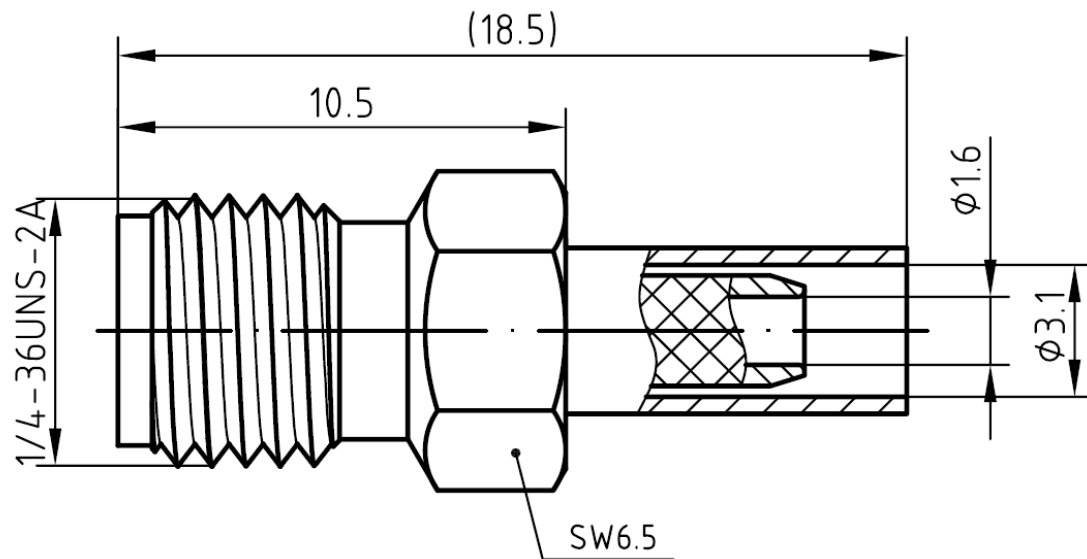


Surface Plating(μ m)

Gold 0.5 over Nickel 2.0
Gold 0.2 over Nickel 2.0
Nickel 7.0 over copper 2.0

Coaxial Straight Connector: SMA-K3

Outline drawing



Packaging

Standard

150/Box=15 Bag

Other

Contact us