

DATA SHEET

Coaxial 7/16 Series Adapter: 7/16-JK

Description

Adaptor 7/16 plug (male) / 7/16 jack (female)

Interface standards

MIL-C-39012

Technical Data

Electrical Data

Impedance	50 Ω
Interface frequency max.	7.5 GHz
VSWR	1.05+0.02 \times f (GHz) max
Voltage rating	1000 V(rms)
Test voltage	2500 V(rms)
Contact resistance:	
Center conductor	≤ 2 m Ω
Out conductor	≤ 0.5 m Ω
Insulation resistance	≥ 10000 M Ω

Mechanical Data

Weight	122 g
Durability	500 Cycles

Environmental Data

Operating Temperature	-65 $^{\circ}$ C to 165 $^{\circ}$ C
-----------------------	--------------------------------------

Material Data

Piece Parts

Center contact	Phosphor bronze
Outer contacts	Brass
Nut	Brass
Insulator	PTFE
Gasket	Silicone Rubber

Material

Surface Plating(μ m)

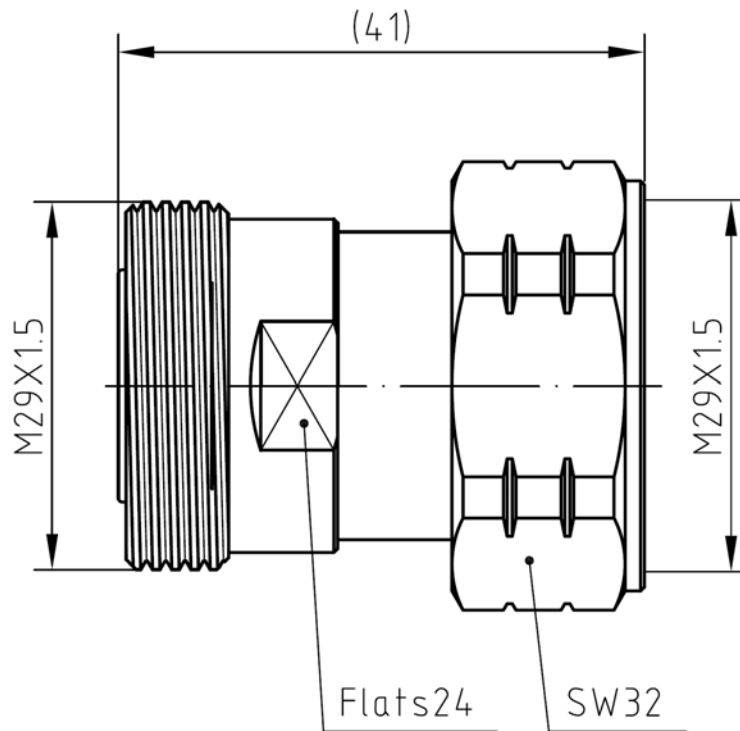
Silver 6.0 over copper 2.0
White copper 4.0 over copper 1.0
White copper 4.0 over copper 1.0



DATA SHEET Coaxial 7/16 Series

Adapter: 7/16-JK

Outline drawing



Packaging

Standard

10/Box=10 Bag

Other

Contact us