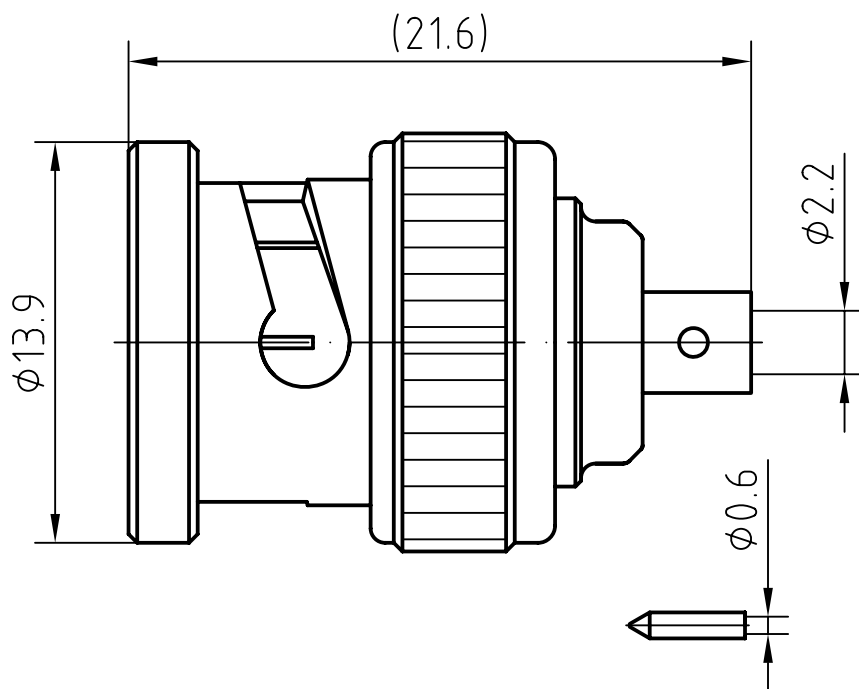
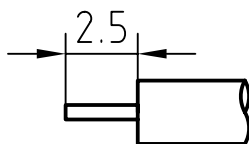


DRAWING



CABLE(UT086,RG405,670-086)



| 2 | 1 | Body | Brass/Nickel plated | Nickel 7.0 over copper 2.0 |
|---------|----------|--|---------------------|----------------------------|
| 2 | 1 | Insulator | PTFE | |
| 1 | 1 | Center contact | Brass/Gold plated | Gold 0.5 over Nickel 2.0 |
| Itemref | Quantity | Title/Name, designation, material, dimension etc | | Article No./Reference |

| | | | | | |
|----------------------------|--------------------------|--|----------------------|------------------|----------------|
| Designed by Mingang Han | Checked by Jinlong GU | Approved by - date Hongyu Du 06.07.03 | File name BNC-JB2 | Date 06.07.03 | Scale 4 : 1 |
|----------------------------|--------------------------|--|----------------------|------------------|----------------|

Amitron Electronics, Ltd.

BNC-JB2

<http://www.amel.ru>

Edition
0

Sheet
1/1

CHARACTERISTICS

DESCRIPTION: BNC Type male connector

Electrical data:

| | |
|--|---|
| <i>Impedance:</i> | <i>50 ohm</i> |
| <i>Frequency range:</i> | <i>DC to 4 GHz</i> |
| <i>VSWR:</i> | $\leq 1.08 + 0.05 \times f [\text{GHz}]$ |
| <i>Insertion loss:</i> | $\leq 0.05 \times \sqrt{f} [\text{GHz}] \text{ dB}$ |
| <i>Insulation resistance:</i> | $\geq 5000 \text{ M}\Omega$ |
| <i>Test voltage:</i> | <i>1500 V rms</i> |
| <i>Working voltage:</i> | <i>500 V rms</i> |
| <i>Contact resistance:</i> | |
| 1). <i>Centre contact:</i> | <i>1.5 mΩ</i> |
| 2). <i>Outer conductor:</i> | <i>1.0 mΩ</i> |
| <i>Power handling</i> (at 20 °C, sea level, VSWR 1.0): | <i>80 W @ 2 GHz</i> |
| <i>- Limitations are possible due to the used cable type -</i> | |

Environmental data:

| | |
|----------------------------|----------------------------|
| <i>Temperature rating:</i> | <i>-65 ° C to +165 ° C</i> |
| <i>52/95/EC (RoHS):</i> | <i>Compliant</i> |

Mechanical data:

| | |
|------------------------------------|----------------------------|
| <i>Mating cycles:</i> | ≥ 500 |
| <i>Center contact captivation:</i> | $\geq 15 \text{ N(axial)}$ |

Suitable cables:

UT086, RG405, 670-086