

# Coaxial Straight PCB Connector: MMCX-JWHD

## Description

Right Angle plug receptacle for PCB solder legs

## Interface standards

MIL-C-39012



## Technical Data

### Electrical Data

|                          |                               |
|--------------------------|-------------------------------|
| Impedance                | 50 $\Omega$                   |
| Interface frequency max. | 6 GHz                         |
| VSWR                     | 1.05+0.05 $\times$ f(GHz) max |
| Voltage rating           | 170 V(rms)                    |
| Test voltage             | 500 V(rms)                    |
| Contact resistance:      |                               |
| Center conductor         | $\leq$ 10 m $\Omega$          |
| Out conductor            | $\leq$ 5 m $\Omega$           |
| Insulation resistance    | $\geq$ 1000M $\Omega$         |

### Mechanical Data

|            |            |
|------------|------------|
| Weight     | 0.7 g      |
| Durability | 500 Cycles |

### Environmental Data

|                       |                                      |
|-----------------------|--------------------------------------|
| Operating Temperature | -65 $^{\circ}$ C to 165 $^{\circ}$ C |
|-----------------------|--------------------------------------|

### Material Data

#### Piece Parts

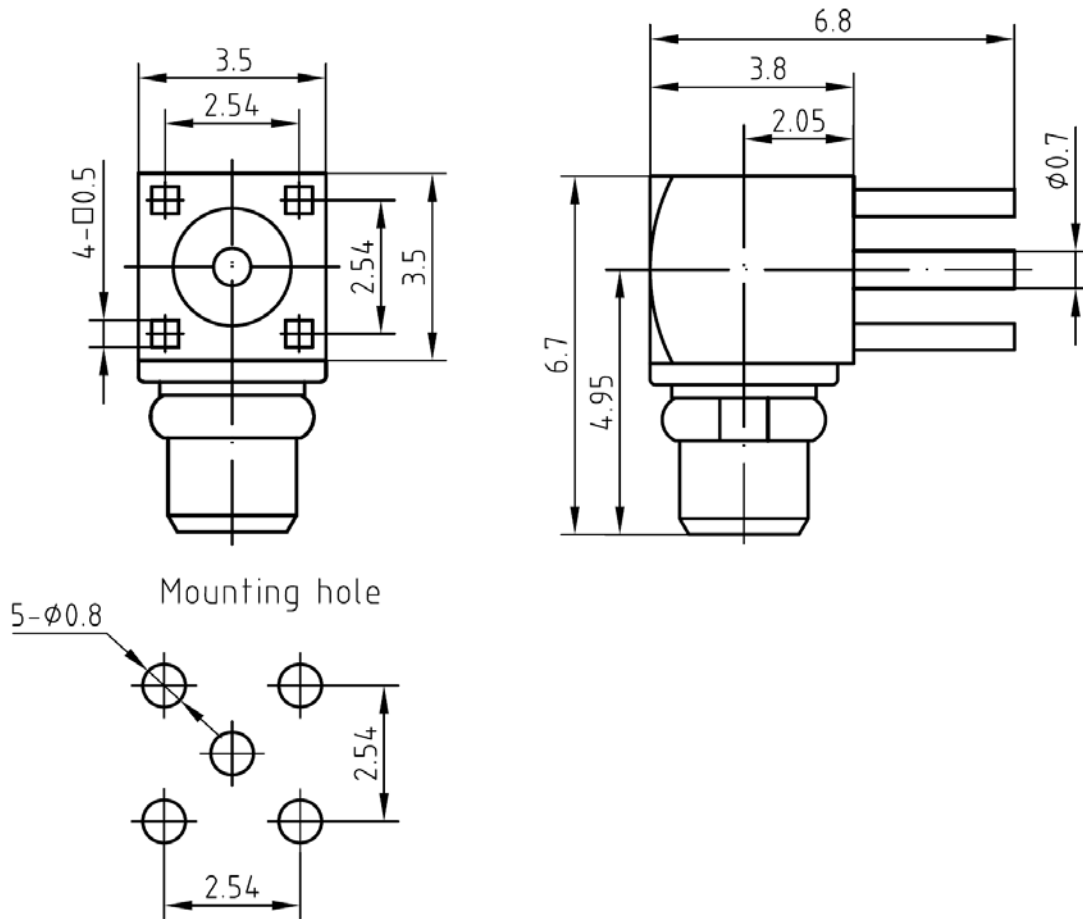
|                |                  |
|----------------|------------------|
| Center contact | Brass            |
| Outer contact  | Beryllium copper |
| Body           | Brass            |
| Insulator      | PTFE             |

#### Surface Plating( $\mu$ m)

|                |                          |
|----------------|--------------------------|
| Center contact | Gold 0.5 over Nickel 2.0 |
| Outer contact  | Gold 0.5 over Nickel 2.0 |
| Body           | Gold 0.2 over Nickel 2.0 |

# Coaxial Straight PCB Connector: MMCX-JWHD

## Outline drawing



## Packaging

Standard

200/Box=20 Bag

Other

Contact us