

## Coaxial Straight Flange Cable Connector: N-KF5DY

### Description

Straight panel jack for flexible cable 5/50D , flange mount

### Interface standards

MIL-C-39012

### Technical Data

#### Electrical Data

Impedance	50 $\Omega$
Interface frequency max.	8 GHz
VSWR	$1.05+0.06 \times f$ (GHz) max
Voltage rating	1000 V(rms)
Test voltage	1500 V(rms)
Contact resistance:	
Center conductor	$\leq 1.0\text{m} \Omega$
Out conductor	$\leq 0.2\text{m} \Omega$
Insulation resistance	$\geq 5000\text{M} \Omega$

#### Mechanical Data

Weight	44 g
Durability	500 Cycles

#### Environmental Data

Operating Temperature	-65 °C to 165 °C
-----------------------	------------------

#### Material Data

##### Piece Parts

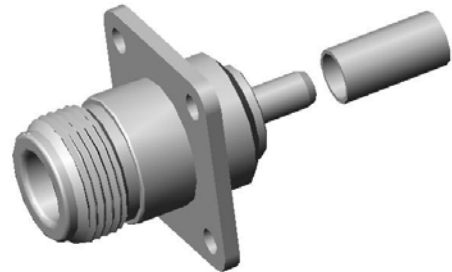
Center contact
Body
Insulator
Other pieces

##### Material

Phosphor bronze
Brass
PTFE
Brass

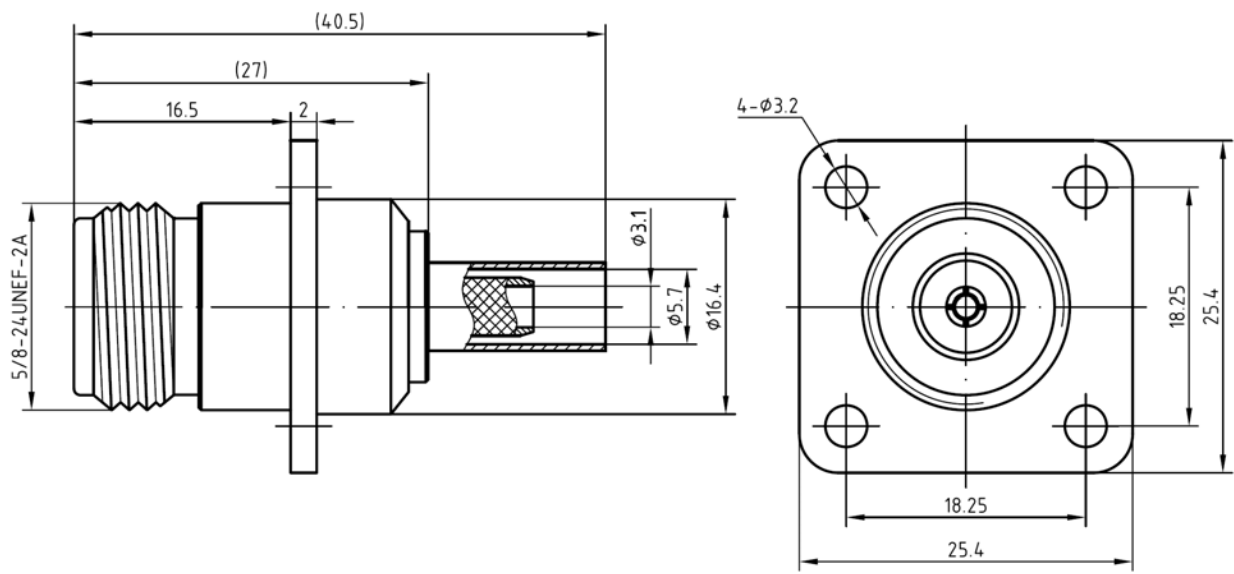
##### Surface Plating( $\mu$ m)

Gold 0.3 over Nickel 2.0
Nickel 7.0 over copper 2.0
Nickel 7.0 over copper 2.0



## Coaxial Straight Flange Cable Connector: N-KF5DY

### Outline drawing



### Packaging

Standard

20/Box=4 Bag

Other

Contact us