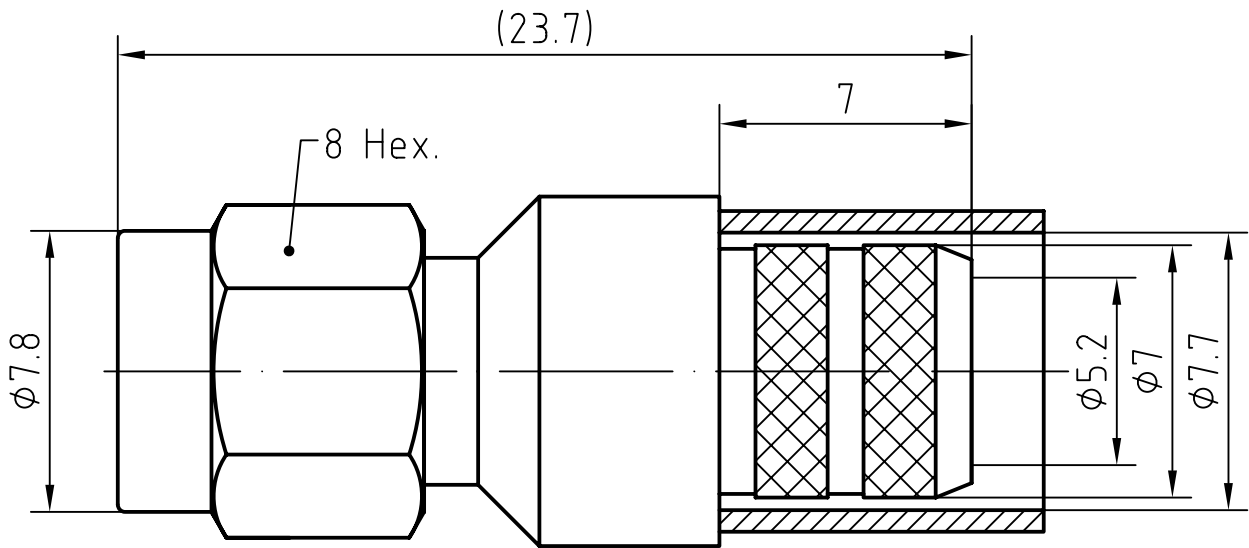
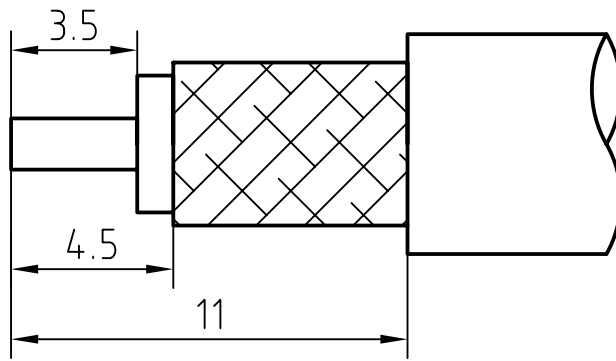


DRAWING



CABLE(5D-FB)



6	1	Crimp ferrule	Copper alloy/Nickel plated	
5	1	O ring	Silicon rubber	
4	1	Coupling nut	Brass/Nickel plated	Nickel 5um over Copper 2um
3	1	Body	Brass/Nickel plated	Nickel 5um over Copper 2um
2	1	Insulator	PFTE	
1	1	Center contact	Beryllium copper/Gold plated	Gold 0.5um over Nickel 2um
Itemref	Quantity	Title/Name, designation, material, dimension etc		Article No./Reference

Designed by
Mingang Han

Checked by
Jinlong GU

Approved by - date
Hongyu Du

File name
SMA-J7.5DN

Date
10.11.26

Scale
4 : 1

Amitron Electronics, Ltd.

SMA-J7.5DN

<http://www.amel.ru>

Edition
1.0

Sheet
1/1

CHARACTERISTICS

DESCRIPTION: SMA Type male connector

Electrical data:

<i>Impedance:</i>	50 ohm
<i>Frequency range:</i>	DC to 12.4 GHz
<i>VSWR:</i>	$\leq 1.08 + 0.03 \times f$ [GHz], DC to 5 GHz
<i>Insertion loss:</i>	$\leq 0.05 \times \sqrt{f}$ [GHz] dB, DC-5GHz
<i>Insulation resistance:</i>	$\geq 5000M\Omega$
<i>Test voltage:</i>	1000 V rms
<i>Working voltage:</i>	480 V rms
<i>Contact resistance:</i>	
1). Centre contact:	3.0 m Ω
2). Outer conductor:	2.5 m Ω
<i>Power handling (at 20 ° C, sea level, VSWR 1.0):</i>	≤ 200 W @ 2 GHz
<i>RF-leakage:</i>	≥ 100 dB up to 1 GHz

Environmental data:

<i>Temperature rating:</i>	-65 ° C to +165 ° C
<i>2002/95/EC (RoHS):</i>	Compliant

Mechanical data:

<i>Mating cycles:</i>	≥ 500
<i>Coupling nut retention:</i>	≥ 270 N
<i>Center contact captivation:</i>	≥ 27 N(axial)
<i>Coupling test torque:</i>	≤ 1.1 Nm
<i>Recommended torque:</i>	0.46 Nm to 0.69 Nm

Suitable cables:

5D-FB