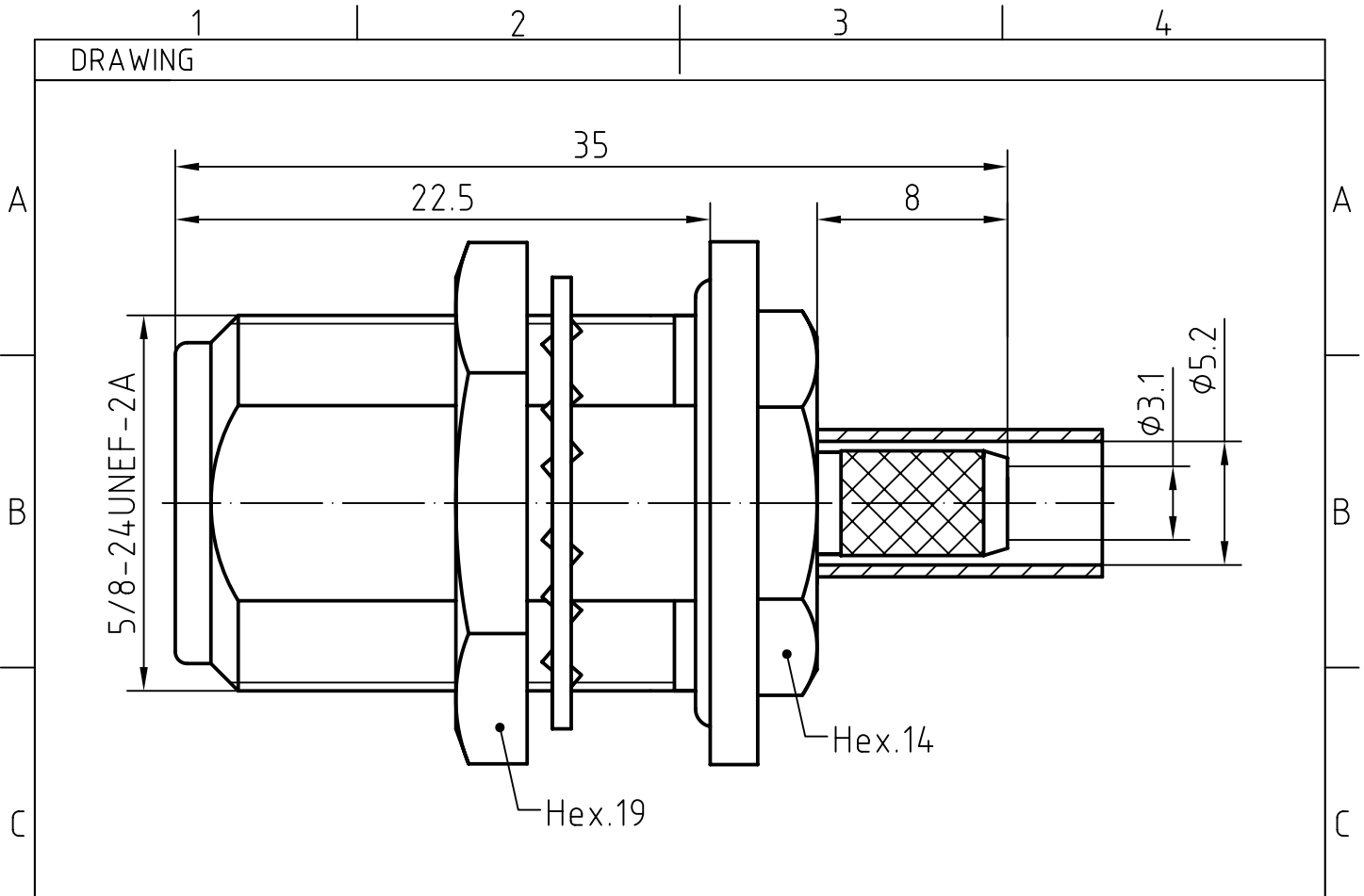
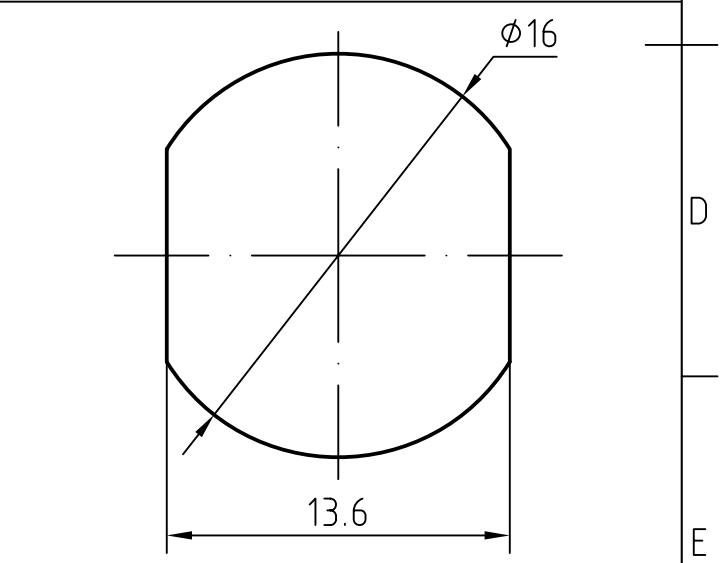
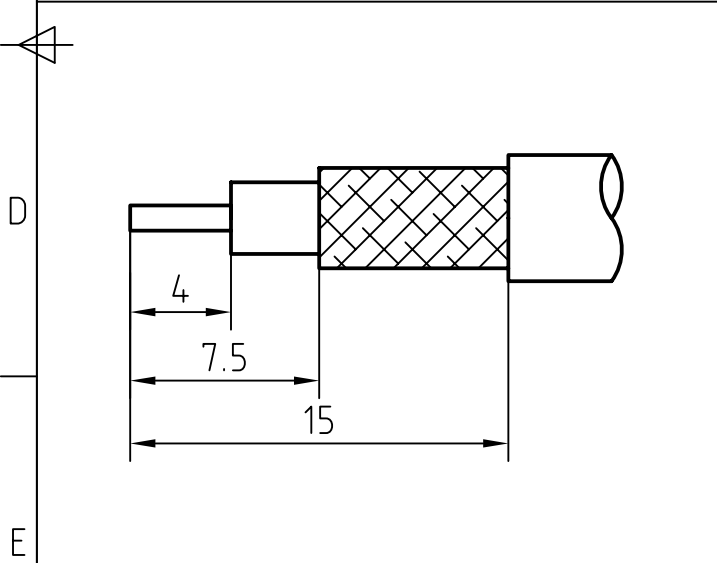


DRAWING



CABLE(RG58C/U,RG141/U,LMR200)

MOUNTING HOLE



5	1	O ring	Silicon rubber	
4	1	Lockwasher	Brass/Nickel plated	Nickel 5um over Copper 2um
3	1	Body and Nut	Brass/Nickel plated	Nickel 5um over Copper 2um
2	1	Insulator	PFTE	
1	1	Center contact	Phosphor bronze/Gold plated	Gold 0.5um over Nickel 2um
Itemref	Quantity	Title/Name, designation, material, dimension etc		Article No./Reference

Designed by Mingang Han	Checked by Jinlong GU	Approved by - date Hongyu Du	File name N-KY5Y-1	Date 09.12.18	Scale 4 : 1
----------------------------	--------------------------	---------------------------------	-----------------------	------------------	----------------

Amitron Electronics, Ltd.	N-KY5Y-1			
	http://www.amel.ru	Edition 1.0	Sheet 1/1	

CHARACTERISTICS

DESCRIPTION: N Type female BH connector

Electrical data:

<i>Impedance:</i>	50 ohm
<i>Frequency range:</i>	DC to 11 GHz
<i>Return loss:</i>	≥30dB, DC to 2 GHz ≥20dB, 2 to 6 GHz
<i>Insertion loss:</i>	≤0.05 X $\sqrt{f[\text{GHz}]}$ dB, DC to 6 GHz
<i>Insulation resistance:</i>	≥5000MΩ
<i>Test voltage:</i>	2500 V rms
<i>Working voltage:</i>	1400 V rms
<i>Contact resistance:</i>	
1). <i>Centre contact:</i>	≤1.0 mΩ
2). <i>Outer conductor:</i>	≤0.25 mΩ
<i>Power handling (at 20 ° C, sea level, VSWR 1.0):</i>	1000 W @ 1 GHz 700 W @ 2 GHz

- Limitations are possible due to the used cable type -

Environmental data:

<i>Temperature rating:</i>	-55 ° C to +155 ° C
<i>2002/95/EC (RoHS):</i>	Compliant

Mechanical data:

<i>Mating cycles:</i>	≥500
<i>Coupling test torque:</i>	≤1.7 Nm
<i>Recommended torque:</i>	0.7 Nm to 1.1 Nm

Suitable cables:

RG58C/U, RG141/U, LMR200