

## Coaxial Straight Flange Connector: RF6-KFB3A

### Description

Straight square flange jack solder type cable .141

### Interface standards

Γ O C T 20265

### Technical Data

#### Electrical Data

Impedance	50 Ω
Interface frequency max.	18 GHz
VSWR	1.05+0.02×f(GHz) max
Voltage rating	500 V(rms)
Test voltage	1000 V(rms)
Contact resistance:	
Center conductor	≤3m Ω
Out conductor	≤2m Ω
Insulation resistance	≥5000M Ω

#### Mechanical Data

Center contact retention	
Axial force – Mating end	NA N min
Axial force – Opposite end	NA N min
Torque	NA N.cm min
Weight	2.50g
Durability	500 Cycles

#### Environmental Data

Operating Temperature	-65 °C to 165 °C
-----------------------	------------------

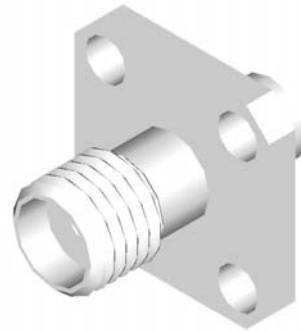
#### Material Data

##### Piece Parts

Body	Brass
Center contact	Beryllium copper
Insulator	PTFE

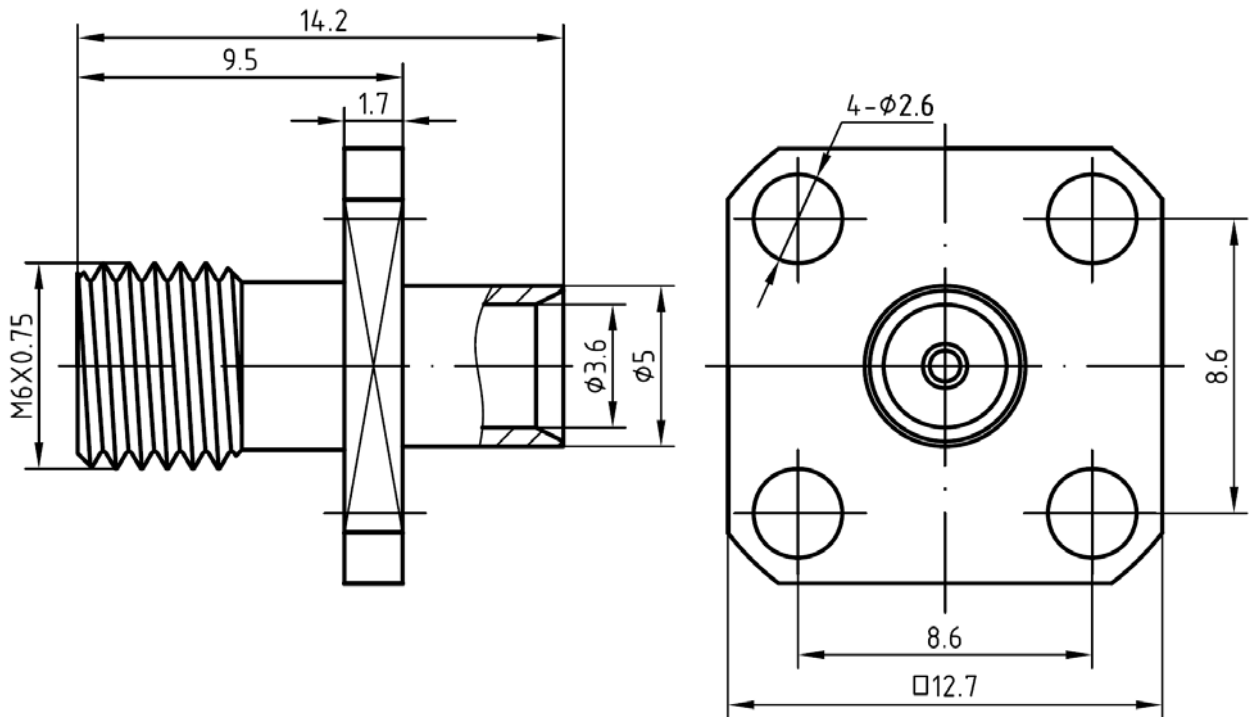
##### Surface Plating( μ m)

Silver 7.0 over copper 2.0
Silver 7.0 over copper 2.0



# Coaxial Straight Flange Connector: RF6-KFB3A

## Outline drawing



### Packaging

Standard

Other

200/Box=20Bag

Contact us