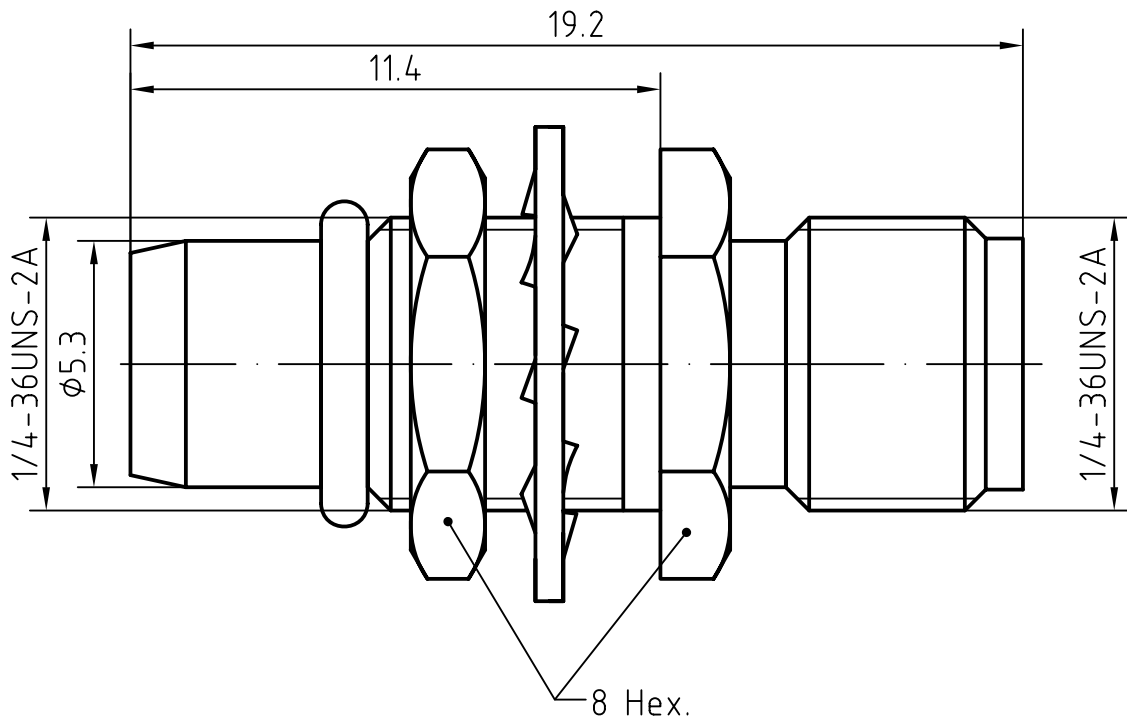
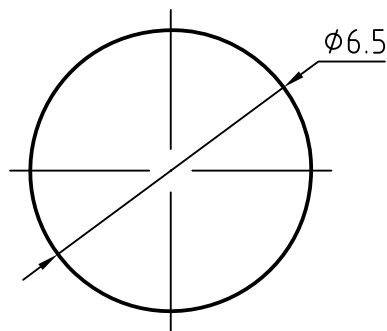


DRAWING



MOUNTING HOLE



6	1	O-ring	Silicone rubber	
5	1	Lock washer	Beryllium copper/Gold plated	Gold 0.2um over Nickel 2um
4	1	Nut	Brass/Gold plated	Gold 0.2um over Nickel 2um
3	1	Body	Brass/Gold plated	Gold 0.2um over Nickel 2um
2	1	Insulator	PTFE	
1	1	Center contact	Beryllium copper/Gold plated	Gold 0.5um over Nickel 2um
Itemref	Quantity	Title/Name, designation, material, dimension etc		Article No./Reference

Designed by  
Mingang Han

Checked by  
Jinlong GU

Approved by - date  
Hongyu Du

File name  
BMA/SMA-JYK

Date  
08.10.06

Scale  
1:1

Amitron Electronics, Ltd.

BMA/SMA-JYK

<http://www.amel.ru>

Edition  
1.0

Sheet  
1/1

## CHARACTERISTICS

DESCRIPTION: ADAPTOR SMA JACK TO BMA PLUG

### Electrical data:

<i>Impedance:</i>	50 ohm	
<i>Frequency range:</i>	DC to 18 GHz	
<i>VSWR:</i>	$\leq 1.06 + 0.01 \times f$ [GHz], DC-6GHz	
<i>Insertion loss:</i>	$\leq 0.15$ dB, DC-4GHz	
<i>Insulation resistance:</i>	$\geq 5000$ M $\Omega$	
<i>Test voltage:</i>	1000 V rms	
<i>Working voltage:</i>	480 V rms	
<i>Contact resistance:</i>		
1). Centre contact:	3 m $\Omega$ , SMA side	3 m $\Omega$ , BMA side
2). Outer conductor:	2.0 m $\Omega$ , SMA side	2.0 m $\Omega$ , BMA side
<i>Power handling (at 20 ° C, sea level, VSWR 1.0):</i>	$\leq 200$ W @ 2 GHz	

### Environmental data:

<i>Temperature rating:</i>	-55 ° C to +125 ° C
<i>2002/95/EC (RoHS):</i>	Compliant

### Mechanical data:

	SMA side	BMA side
<i>Mating cycles:</i>	$\geq 500$	$\geq 500$
<i>Center contact captivation:</i>	$\geq 27$ N(axial)	$\geq 27$ N(axial)
<i>Coupling test torque:</i>	$\leq 1.1$ Nm	N/A
<i>Recommended torque:</i>	0.46 Nm to 0.69 Nm	N/A

### Suitable cables:

N/A