

## Coaxial Cable Connector: N-JB3

### Description

N Type Straight cable plug solder type cable .141

### Interface standards

MIL-C-39012

### Technical Data

#### Electrical Data

Impedance	50 $\Omega$
Interface frequency max.	11 GHz
VSWR	1.05+0.02 $\times$ f (GHz) max
Voltage rating	1000 V(rms)
Test voltage	1500 V(rms)
Contact resistance:	
Center conductor	$\leq 1.0\text{m } \Omega$
Out conductor	$\leq 0.2\text{m } \Omega$
Insulation resistance	$\geq 5000\text{M } \Omega$

#### Mechanical Data

Weight	27.5 g
Durability	500 Cycles

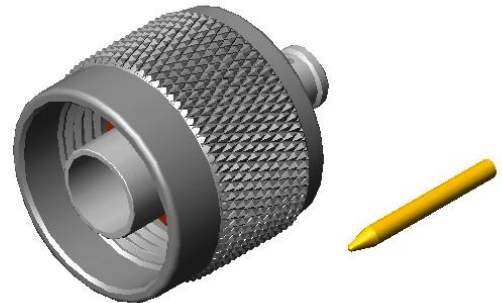
#### Environmental Data

Operating Temperature	-65 $^{\circ}\text{C}$ to 165 $^{\circ}\text{C}$
-----------------------	--

#### Material Data

##### Piece Parts

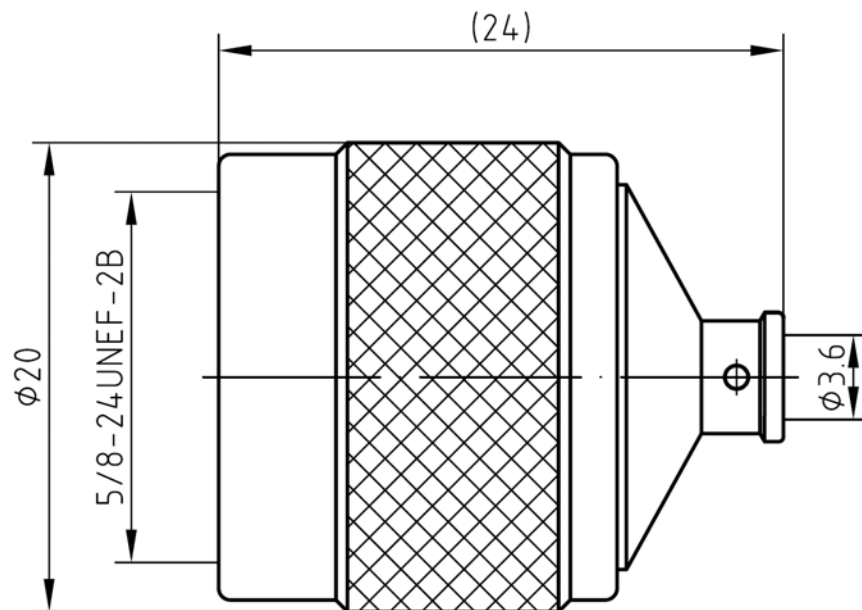
Center contact	Brass
Body	Brass
Gasket	Silicone Rubber
Insulator	PTFE
Nut	Brass



<b>Surface Plating( <math>\mu\text{m}</math> )</b>
Gold 0.5 over Nickel 2.0
White copper 4.0 over copper 1.0
Nickel 7.0 over copper 2.0

## Coaxial Cable Connector: N-JB3

### Outline drawing



### Packaging

Standard

Other

50/Box=5 Bag

Contact us