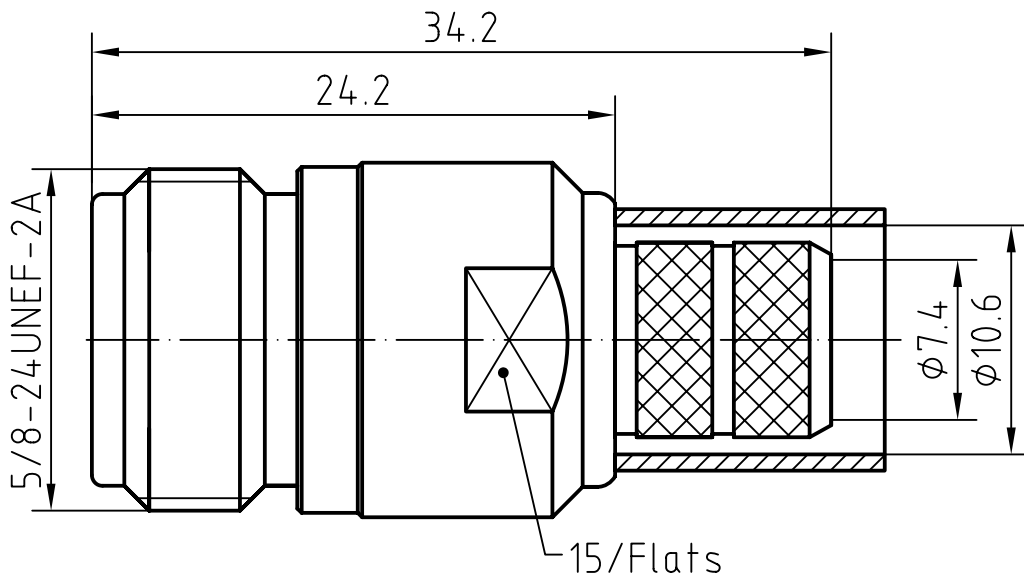
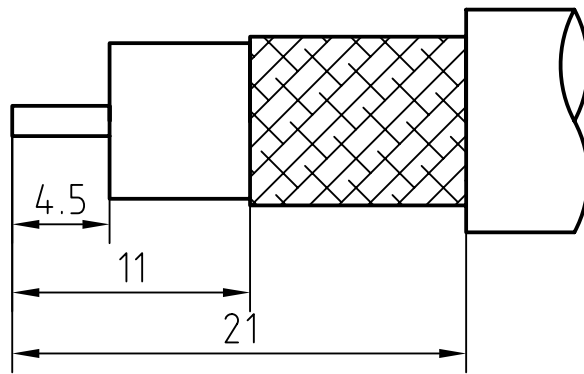


DRAWING



CABLE(RG8/U, RG213/U, SYV-50-7-1)



3	1	Insulator	PTFE	
2	1	Center contact	Brass/Gold plated	Gold 0.2 over Nickel 2.0
1	1	Body	Brass/Nickel plated	Nickel 7.0 over copper 2.0
Itemref	Quantity	Title/Name, designation, material, dimension etc		Article No./Reference

Designed by Mingang Han	Checked by Jinlong GU	Approved by - date Hongyu Du 06.07.17	File name N-K7Y	Date 06.07.17	Scale 4 : 1
----------------------------	--------------------------	--	--------------------	------------------	----------------

Amitron Electronics, Ltd.	N-K7Y		
	http://www.amel.ru	Edition 1.0	Sheet 1/1

CHARACTERISTICS

DESCRIPTION: N Type female STR connector

Electrical data:

<i>Impedance:</i>	50 ohm
<i>Frequency range:</i>	DC to 8 GHz
<i>VSWR:</i>	$1.05 + 0.06 \times f$ (GHz) max
<i>Insertion loss:</i>	≤ 0.05 dB, DC-4GHz
<i>Insulation resistance:</i>	≥ 5000 M Ω
<i>Test voltage:</i>	2500 V rms
<i>Working voltage:</i>	1400 V rms
<i>Contact resistance:</i>	
1). Centre contact:	1.0 m Ω
2). Outer conductor:	0.25 m Ω
<i>Power handling (at 20 ° C, sea level, VSWR 1.0):</i>	1000 W @ 1 GHz, 700 W @ 2 GHz
<i>RF-leakage</i>	≥ 128 dB up to 1 GHz

Environmental data:

<i>Temperature rating:</i>	-65° C to +165° C
<i>2002/95/EC (RoHS):</i>	Compliant
<i>Degree of protection:</i>	IP67

Mechanical data:

<i>Mating cycles:</i>	≥ 500
<i>Center contact captivation:</i>	≥ 28 N(axial)
<i>Coupling test torque:</i>	≤ 1.7 Nm
<i>Recommended torque:</i>	0.70 Nm to 1.10 Nm

Suitable cables:

RG8/U, RG213/U, SYV-50-7-1