

DRAWING

A

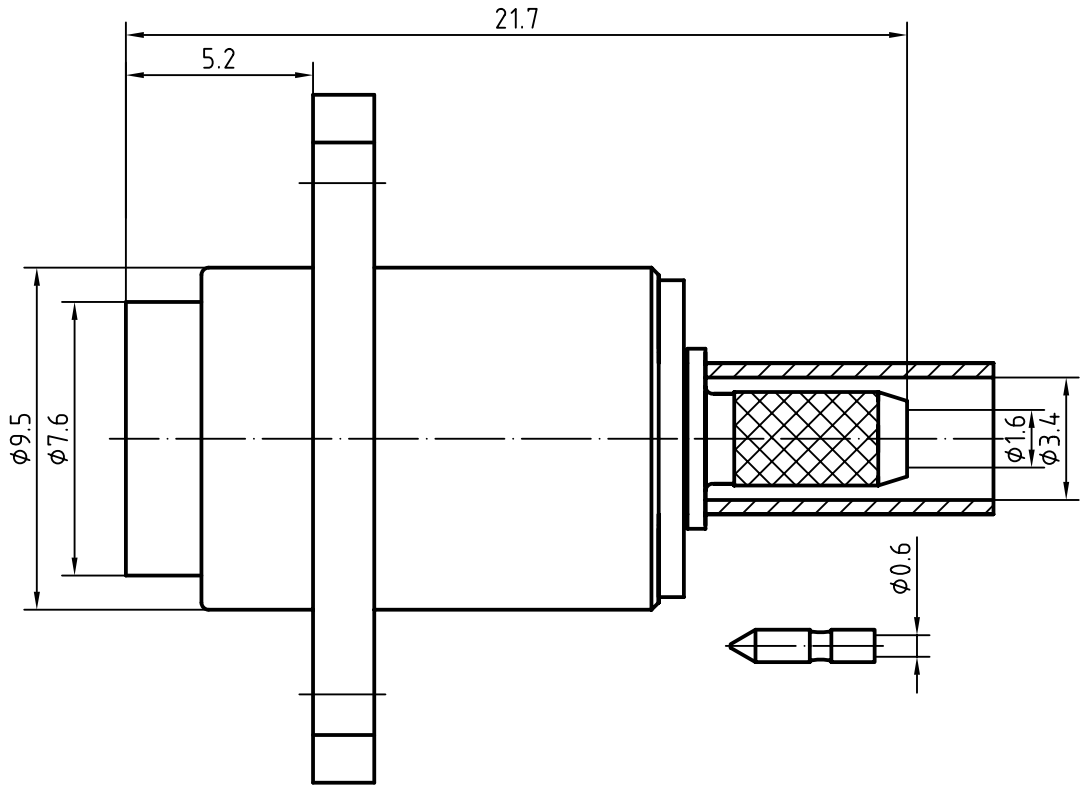
B

C

A

B

C



CABLE(RG316D)

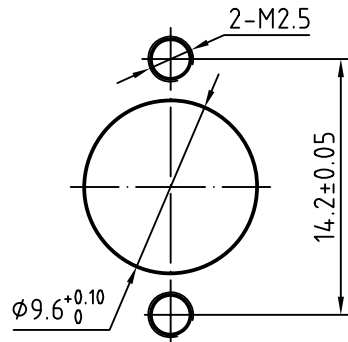
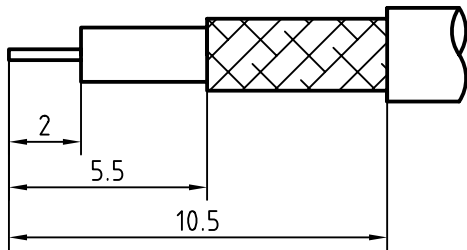
MOUNTING HOLE

D

E

D

E



4	1	Insulator	PTFE	
3	1	Body	Brass/Nickel plated	Nickel 5um over Copper 2um
2	1	Outer contact	Brass/Gold plated	Gold 0.2um over Nickel 2um
1	1	Center contact	Beryllium coper/Gold plated	Gold 0.5um over Nickel 2um

F

F

Designed by
Mingang Han

Checked by
Jinlong Gu

Approved by - date
Hongyu Du

File name
BMA-KF2.5DY

Date
07.07.25

Scale
5 : 1

Amitron Electronics, Ltd.

BMA-KF2.5DY

<http://www.amel.ru>

Edition
1.0

Sheet
1/1

CHARACTERISTICS

DESCRIPTION:

BMA Type female FL connector for RG316

Electrical data:

<i>Impedance:</i>	<i>50 ohm</i>
<i>Frequency range:</i>	<i>DC to 6GHz</i>
<i>VSWR:</i>	<i>$\leq 1.08 + 0.03Xf[\text{GHz}]$ For RG316D</i>
<i>Insertion loss:</i>	<i>$\leq 0.08X\sqrt{f[\text{GHz}]}$ dB</i>
<i>Insulation resistance:</i>	<i>$\geq 5000M\Omega$</i>
<i>Test voltage:</i>	<i>375 V/50Hz For RG316D</i>
<i>Contact resistance:</i>	
1). <i>Centre contact:</i>	<i>3.0 mΩ</i>
2). <i>Outer conductor:</i>	<i>2.0 mΩ</i>

Environmental data:

<i>Temperature rating:</i>	<i>-55 ° C to +125 ° C</i>
<i>2002/95/EC (RoHS):</i>	<i>Compliant</i>

Mechanical data:

<i>Mating cycles:</i>	<i>≥ 500</i>
-----------------------	------------------------------

Suitable cables:

RG316D