

Coaxial Straight PCB Connector: RF6-KHD

Description

Straight jack receptacle for PCB solder legs

Interface standards

Γ O C T 20265

Technical Data

Electrical Data

Impedance	50 Ω
Interface frequency max.	18 GHz
VSWR	1.05+0.02×f(GHz) max
Voltage rating	500 V(rms)
Test voltage	1000 V(rms)
Contact resistance:	
Center conductor	≤3m Ω
Out conductor	≤2m Ω
Insulation resistance	≥5000M Ω

Mechanical Data

Center contact retention	
Axial force – Mating end	27 N min
Axial force – Opposite end	27 N min
Torque	2.8 N.cm min
Weight	1.20g
Durability	500 Cycles

Environmental Data

Operating Temperature	-65 °C to 165 °C
-----------------------	------------------

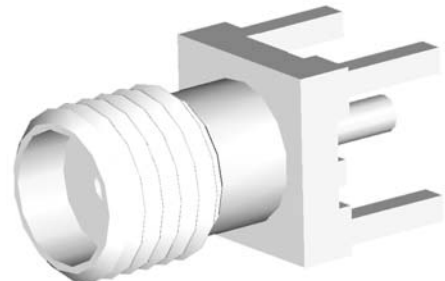
Material Data

Piece Parts

Body	Brass
Center contact	Beryllium copper
Insulator	PTFE

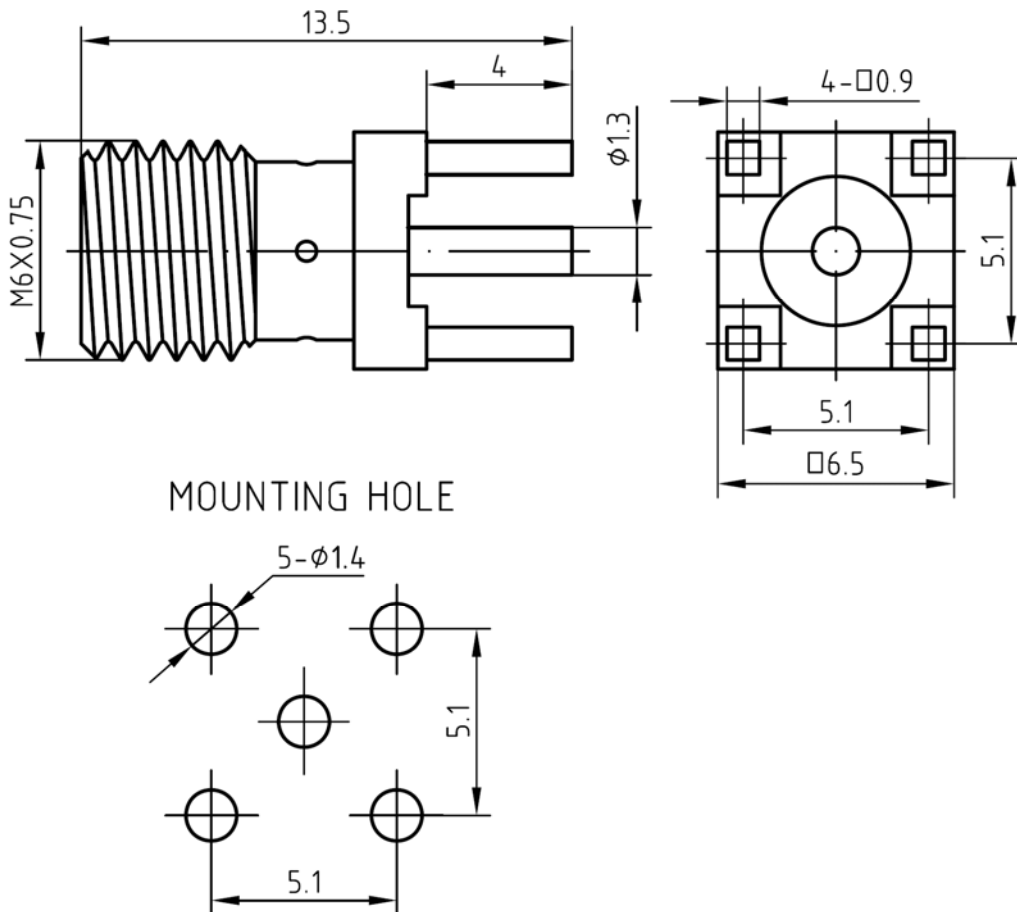
Surface Plating(μ m)

Silver 7.0 over copper 2.0
Silver 7.0 over copper 2.0



Coaxial Straight PCB Connector: RF6-KHD

Outline drawing



Packaging

Standard

250/Box=25Bag

Other

Contact us