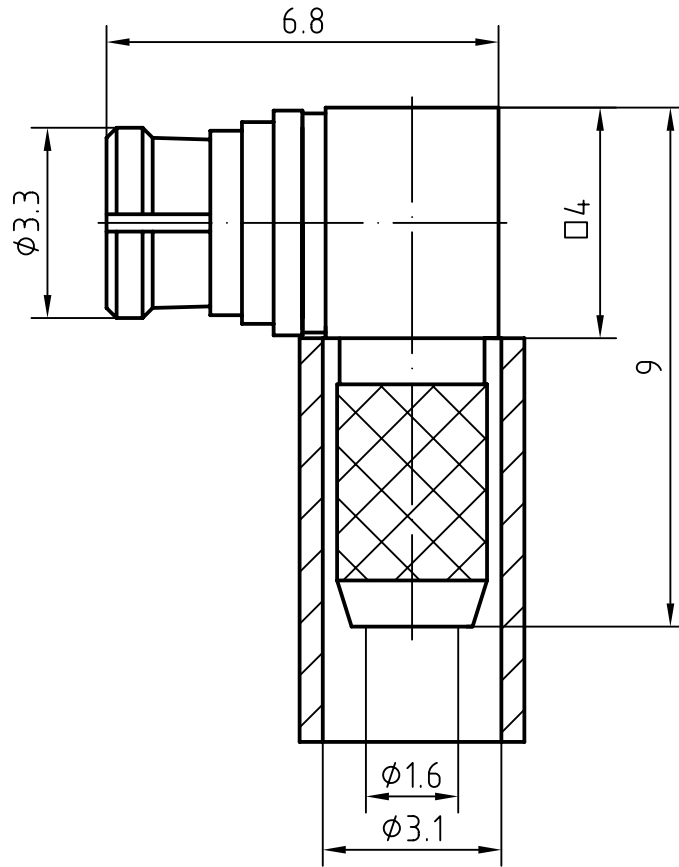
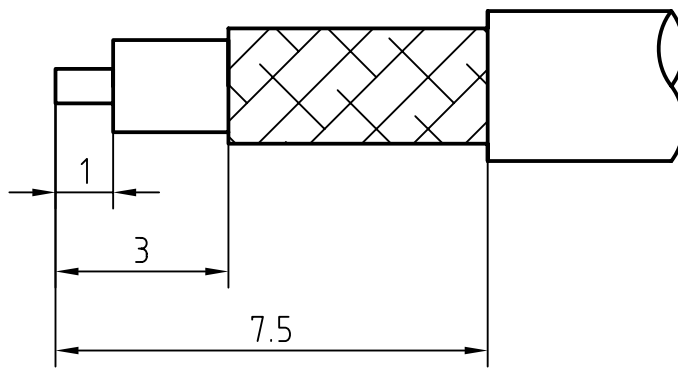


DRAWING



CABLE(RG174A/U, RG188A/U, RG316/U)



| | | | | |
|---|---|----------------|------------------------------|----------------------------|
| 4 | 1 | Spring contact | Beryllium copper/Gold plated | Gold 0.2um over Nickel 2um |
| 3 | 1 | Body | Brass/Gold plated | Gold 0.2um over Nickel 2um |
| 2 | 1 | Insulator | PTFE | |
| 1 | 1 | Center contact | Beryllium copper/Gold plated | Gold 0.5um over Nickel 2um |

| | | | | | |
|----------------------------|--------------------------|---------------------------------|----------------------|------------------|-----------------|
| Designed by Mingang Han | Checked by Jinlong Gu | Approved by - date Hongyu Du | File name SMP-KW3 | Date 15.05.05 | Scale 10 : 1 |
|----------------------------|--------------------------|---------------------------------|----------------------|------------------|-----------------|

| | | | | |
|---------------------------|---|--|----------------|--------------|
| Amitron Electronics, Ltd. | SMP-KW3 | | | |
| | http://www.amel.ru | | Edition 1.0 | Sheet 1/1 |

CHARACTERISTICS

DESCRIPTION: SMP Type female R/A connector

Electrical data:

| | |
|------------------------|--|
| Impedance: | 50 ohm |
| Frequency range: | DC to 6 GHz |
| VSWR: | $\leq 1.08 + 0.03Xf[\text{GHz}]$ |
| Insertion loss: | $\leq 0.1X\sqrt{f[\text{GHz}]} \text{ dB, DC to 12 GHz}$ |
| Insulation resistance: | $\geq 5000M\Omega$ |
| Test voltage: | 500 V rms |
| Working voltage: | 335 V rms |
| Contact resistance: | |
| 1). Centre contact: | 6.0 m Ω |
| 2). Outer conductor: | 2.0 m Ω |

Environmental data:

| | |
|---------------------|---------------------|
| Temperature rating: | -65 ° C to +165 ° C |
| 2002/95/EC (RoHS): | Compliant |

Mechanical data:

Mating cycles:

| | |
|-------------------------------------|---------------------------|
| - if mating part is smooth bore: | ≥ 1000 |
| - if mating part is limited detent: | ≥ 500 |
| - if mating part is full detent: | ≥ 100 |
| Center contact captivation: | $\geq 7 \text{ N(axial)}$ |

Engagement force:

| | |
|-------------------|----------------------|
| - smooth bore: | $\leq 9 \text{ N.}$ |
| - limited detent: | $\leq 45 \text{ N.}$ |
| - full detent: | $\leq 68 \text{ N.}$ |

Disengagement force:

| | |
|-------------------|-----------------------|
| - smooth bore: | $\geq 2.2 \text{ N.}$ |
| - limited detent: | $\geq 9 \text{ N.}$ |
| - full detent: | $\geq 22 \text{ N.}$ |

Suitable cables:

RG174A/U, RG188A/U, RG316/U