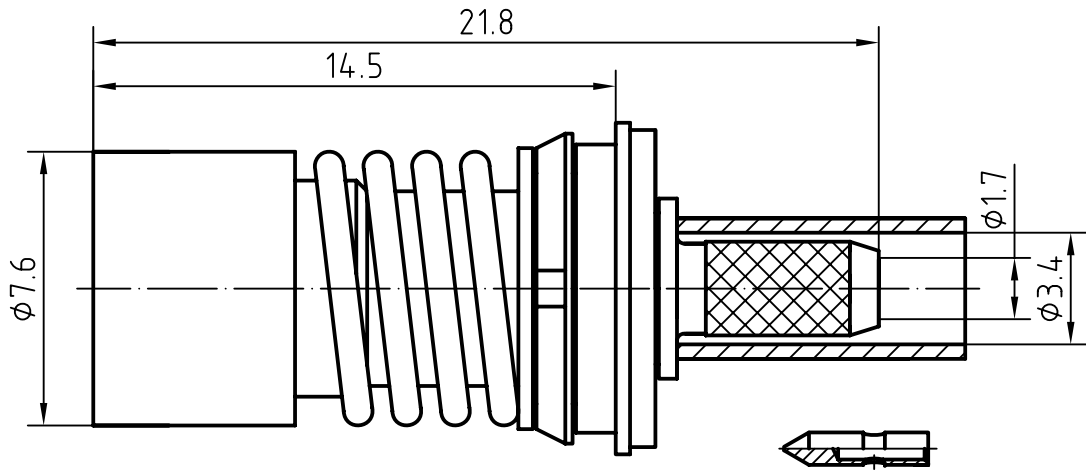
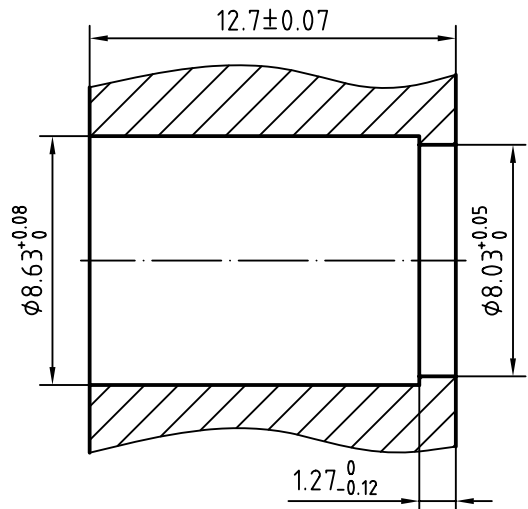
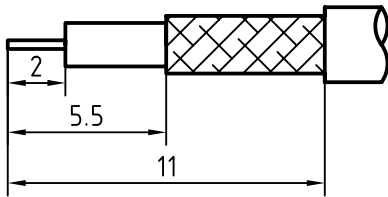


DRAWING



CABLE(RG316D)



5	1	Others parts	Brass/Nickel plated	Nickel 5um over Copper 2um
4	1	Insulator	PTFE	
3	1	Body	Body/Gold plated	Gold 0.2um over Nickel 2um
2	1	Outer contact	Beryllium copper/Gold plated	Gold 0.1um over Nickel 2um
1	1	Center contact	Beryllium copper/Gold plated	Gold 0.5um over Nickel 2um

Designed by Mingang Han	Checked by Jinlong Gu	Approved by - date Hongyu Du	File name BMA-K3Y	Date 08.01.25	Scale 5 : 1
----------------------------	--------------------------	---------------------------------	----------------------	------------------	----------------

Amitron Electronics, Ltd.

BMA-K3Y

<http://www.amel.ru>

Edition
1.0

Sheet
1/1

CHARACTERISTICS

DESCRIPTION: BMA Type female BH connector

Electrical data:

<i>Impedance:</i>	<i>50 ohm</i>
<i>Frequency range:</i>	<i>DC to 6GHz</i>
<i>VSWR:</i>	$\leq 1.08 + 0.03Xf(\text{GHz})$
<i>Insertion loss:</i>	$\leq 0.08X \sqrt{f(\text{GHz})}$ dB
<i>Insulation resistance:</i>	$\geq 5000M\Omega$
<i>Test voltage:</i>	<i>375 V/50Hz For RG316D</i>
<i>Contact resistance:</i>	
1). <i>Centre contact:</i>	<i>3.0 mΩ</i>
2). <i>Outer conductor:</i>	<i>2.0 mΩ</i>

Environmental data:

<i>Temperature rating:</i>	<i>-55 ° C to +125 ° C</i>
<i>2002/95/EC (RoHS):</i>	<i>Compliant</i>

Mechanical data:

<i>Mating cycles:</i>	≥ 500
-----------------------	------------

Suitable cables:

RG316D