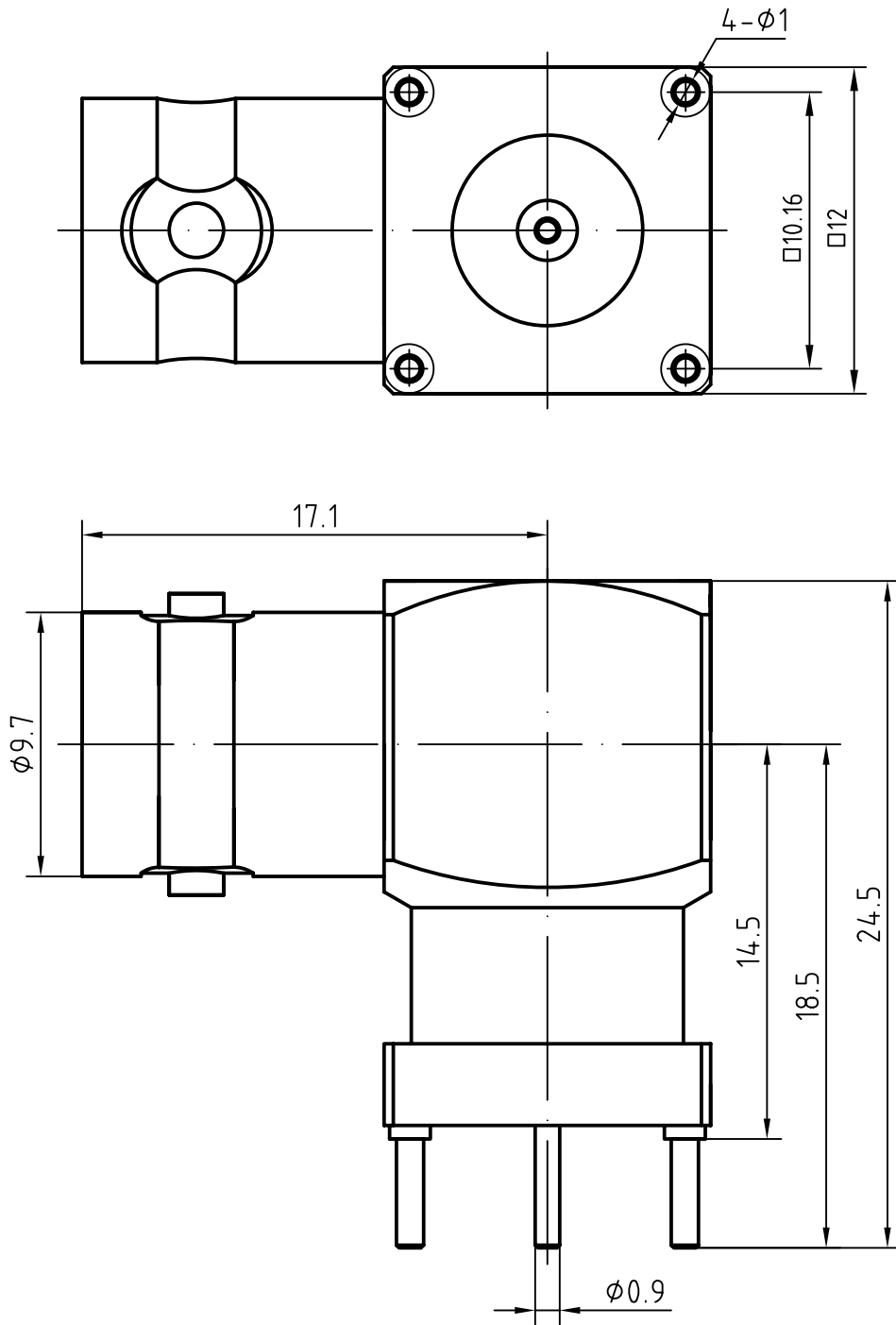


DRAWING



3	1	Body	Brass/Nickel plated	Nickel 5um over Copper 2um
2	1	Insulator	PTFE	
1	1	Centor contact	Phosphor bronze/Gold plated	Gold 0.2um over Nickel 2um
Itemref	Quantity	Title/Name, designation, material, dimension etc		Article No./Reference

Designed by Mingang Han	Checked by Jinlong GU	Approved by - date Hongyu Du	File name BNC-KWHD1	Date 06.10.23	Scale 5 : 1
----------------------------	--------------------------	---------------------------------	------------------------	------------------	----------------

Amitron Electronics, Ltd.	BNC-KWHD1		
	<a href="http://www.amel.ru">http://www.amel.ru</a>	Edition 2.0	Sheet 1/1

## CHARACTERISTICS

DESCRIPTION:

BNC Type female R/A for PCB solder legs

### Electrical data:

<i>Impedance:</i>	50 ohm
<i>Frequency range:</i>	DC to 4 GHz
<i>VSWR:</i>	$\leq 1.08 + 0.03Xf[\text{GHz}]$
<i>Insertion loss:</i>	$\leq 0.25 X \sqrt{f[\text{GHz}]} \text{ dB}$
<i>Insulation resistance:</i>	$\geq 5000\text{M}\Omega$
<i>Test voltage:</i>	1500 V rms
<i>Working voltage:</i>	500 V rms
<i>Contact resistance:</i>	
1). Centre contact:	1.5 m $\Omega$
2). Outer conductor:	1.0 m $\Omega$
<i>RF Leakage :</i>	$\leq -(57-f[\text{GHz}])\text{dB}$

### Environmental data:

<i>Temperature rating:</i>	-65 ° C to +165 ° C
<i>2002/95/EC (RoHS):</i>	Compliant

### Mechanical data:

<i>Mating cycles:</i>	$\geq 500$
<i>Center contact retention:</i>	$\geq 18 \text{ N(axial)}$
<i>Torque:</i>	$\geq 2.8\text{N.cm}$

### Suitable cables:

N/A