

Coaxial Cable Connector: TNC-JW8DFBK3

Description

TNC Right angle cable plug for flexible cable 8D-FB

Interface standards

MIL-C-39012

Technical Data

Electrical Data

| | |
|--------------------------|--------------------------------|
| Impedance | 50 Ω |
| Interface frequency max. | 8 GHz |
| VSWR | 1.08+0.05 \times f (GHz) max |
| Voltage rating | 1000 V(rms) |
| Test voltage | 1500 V(rms) |
| Contact resistance: | |
| Center conductor | $\leq 1.0\text{m } \Omega$ |
| Out conductor | $\leq 0.2\text{m } \Omega$ |
| Insulation resistance | $\geq 5000\text{M } \Omega$ |

Mechanical Data

| | |
|------------|------------|
| Weight | 65 g |
| Durability | 500 Cycles |

Environmental Data

| | |
|-----------------------|--|
| Operating Temperature | -65 $^{\circ}\text{C}$ to 165 $^{\circ}\text{C}$ |
|-----------------------|--|

Material Data

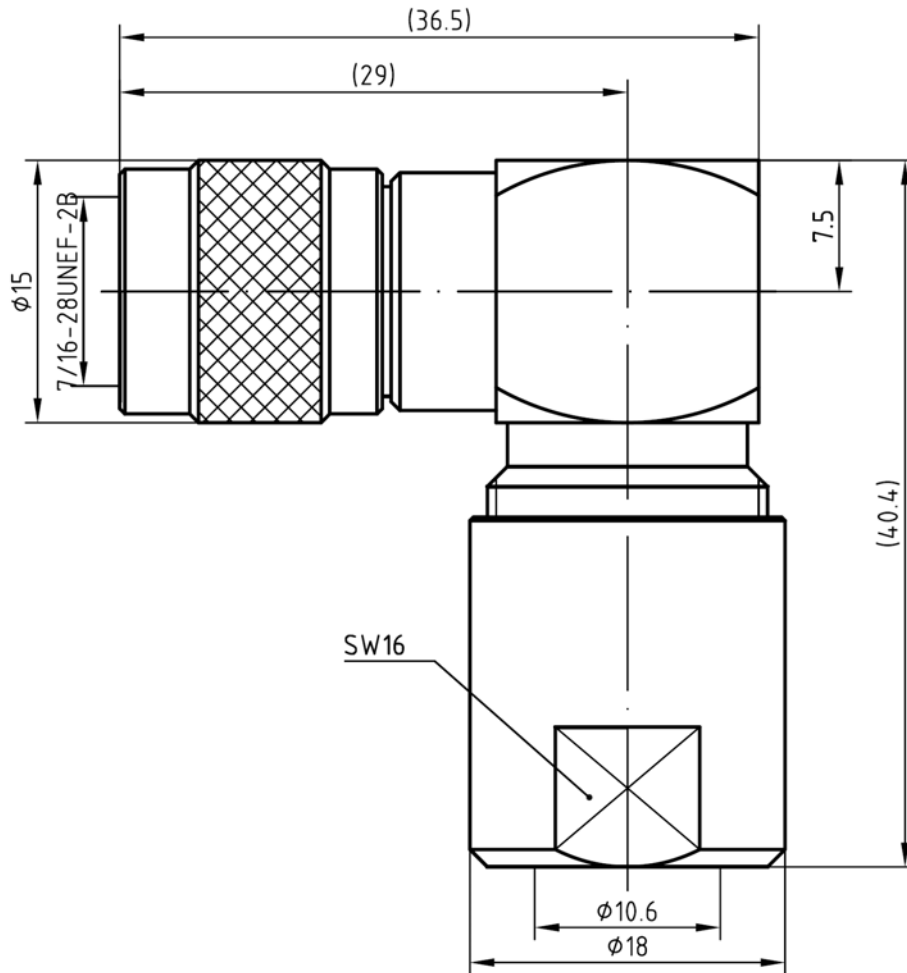
Piece Parts

| Piece Parts | Material | Surface Plating(μm) |
|----------------|-----------------|----------------------------------|
| Center contact | Brass | Gold 0.3 over Nickel 2.0 |
| Body | Brass | White copper 4.0 over copper 1.0 |
| Gasket | Silicone Rubber | |
| Insulator | PTFE | |
| Other pieces | Brass | White copper 4.0 over copper 1.0 |



Coaxial Cable Connector: TNC-JW8DFBK3

Outline drawing



Packaging

Standard

Other

25/Box=5 Bag

Contact us