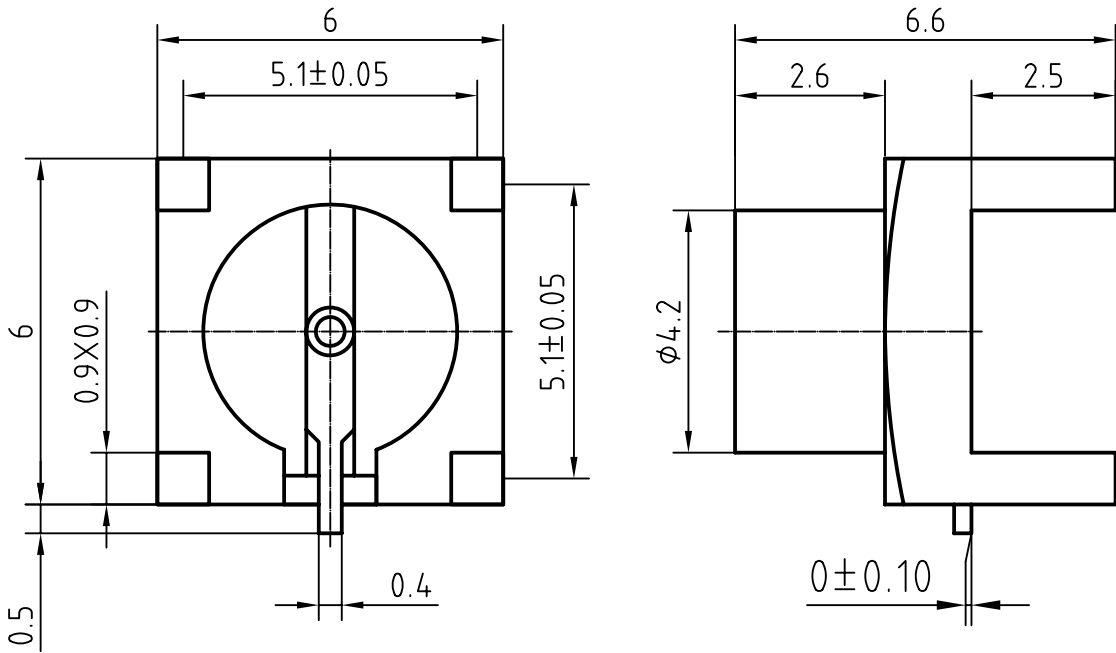
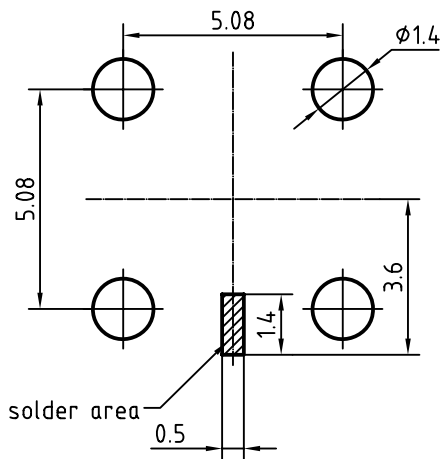


DRAWING



PCB RECOMMENDED LAYOUT



3	1	Body	Brass/Gold plated	Gold 0.2 um over Nickel 2um
2	1	Insulator	PPS	
1	1	Center contact	Brass/Gold plated	Gold 0.5 um over Nickel 2um

Designed by Mingang Han	Checked by Jinlong Gu	Approved by - date Hongyu Du	File name SMP(L)-JHDT	Date 07.08.22	Scale 10 : 1
----------------------------	--------------------------	---------------------------------	--------------------------	------------------	-----------------

Amitron Electronics, Ltd.	SMP(L)-JHDT			
	http://www.amel.ru	Edition 1.0	Sheet 1/1	

CHARACTERISTICS

DESCRIPTION:

SMP Type female connector for PCB (LIMITED DETENT)

Electrical data:

<i>Impedance:</i>	50 ohm
<i>Frequency range:</i>	DC to 26.5 GHz
<i>VSWR:</i>	$\leq 1.05 + 0.015Xf[\text{GHz}]$
<i>Insertion loss:</i>	$\leq 0.1X \sqrt{f[\text{GHz}]} \text{ dB, DC-12GHz}$
<i>Insulation resistance:</i>	$\geq 5000M\Omega$
<i>Test voltage:</i>	500 V rms
<i>Working voltage:</i>	335 V rms
<i>Contact resistance:</i>	
1). Centre contact:	6.0 m Ω
2). Outer conductor:	2.0 m Ω

Environmental data:

<i>Temperature rating:</i>	-65 ° C to +165 ° C
<i>2002/95/EC (RoHS):</i>	Compliant

Mechanical data:

Mating cycles:

- if mating part is smooth bore:	≥ 1000
- if mating part is limited detent:	≥ 500
- if mating part is full detent:	≥ 100
<i>Center contact captivation:</i>	$\geq 7 \text{ N(axial)}$

Engagement force:

- smooth bore:	$\leq 9 \text{ N.}$
- limited detent:	$\leq 45 \text{ N.}$
- full detent:	$\leq 68 \text{ N.}$

Disengagement force:

- smooth bore:	$\geq 2.2 \text{ N.}$
- limited detent:	$\geq 9 \text{ N.}$
- full detent:	$\geq 22 \text{ N.}$

Suitable cables:

N/A