

Coaxial Straight PCB Connector: SMB-JHD1

Description

SMB Straight bulkhead jack receptacle for PCB solder legs

Interface standards

MIL-C-39012

Technical Data

Electrical Data

Impedance	50 Ω
Interface frequency max.	4 GHz
VSWR	1.05+0.06 \times f(GHz) max
Voltage rating	250 V(rms)
Test voltage	750 V(rms)
Contact resistance:	
Center conductor	\leq 6 m Ω
Out conductor	\leq 1 m Ω
Insulation resistance	\geq 1000M Ω

Mechanical Data

Weight	1.9 g
Durability	500 Cycles

Environmental Data

Operating Temperature	-65 $^{\circ}$ C to 165 $^{\circ}$ C
-----------------------	--------------------------------------

Material Data

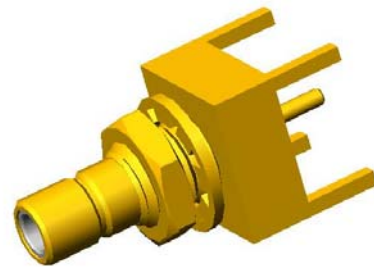
Piece Parts

Center contact	Brass
Body	Brass
Coupling nut	Brass
Insulator	PTFE

Material

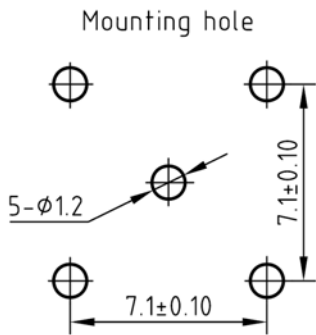
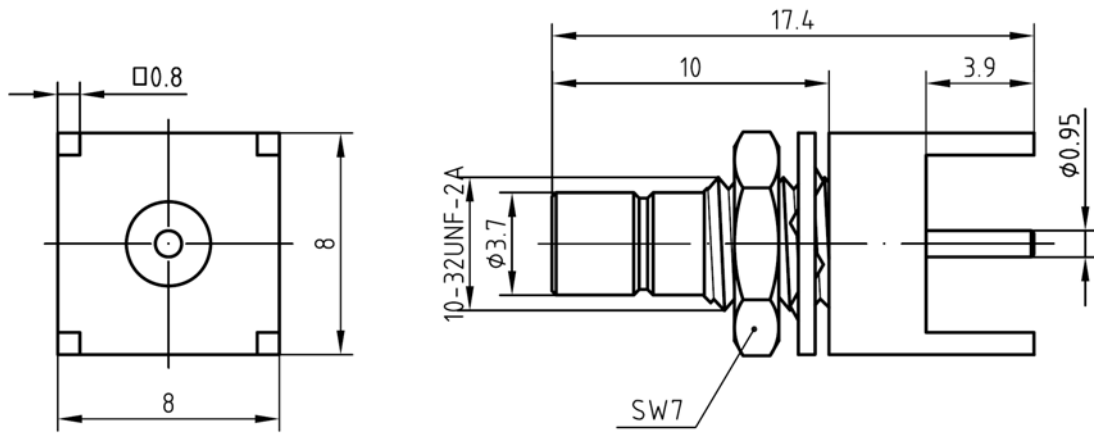
Surface Plating(μ m)

Gold 0.5 over Nickel 2.0
Gold 0.2 over Nickel 2.0
Gold 0.2 over Nickel 2.0



Coaxial Straight PCB Connector: SMB-JHD1

Outline drawing



Packaging

Standard

200/Box=20 Bag

Other

Contact us