

## Coaxial Cable Connector: SMB-KW2

### Description

SMB Right angle cable plug for Flexible cable 2/50S

### Interface standards

MIL-C-39012

### Technical Data

#### Electrical Data

Impedance	50 $\Omega$
Interface frequency max.	4 GHz
VSWR	$1.08+0.06 \times f(\text{GHz})$ max
Voltage rating	250 V(rms)
Test voltage	750 V(rms)
Contact resistance:	
Center conductor	$\leq 6\text{m} \Omega$
Out conductor	$\leq 1.5\text{m} \Omega$
Insulation resistance	$\geq 1000\text{M} \Omega$

#### Mechanical Data

Weight	3.8 g
Durability	500 Cycles

#### Environmental Data

Operating Temperature	-65 °C to 165 °C
-----------------------	------------------

#### Material Data

##### Piece Parts

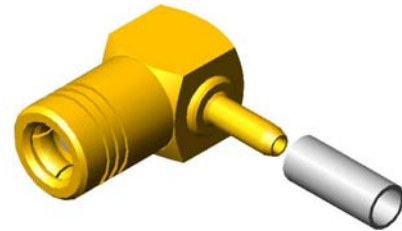
Center contact  
Body  
Crimp ferrules  
Insulator

##### Material

Beryllium copper  
Brass  
Brass  
PTFE

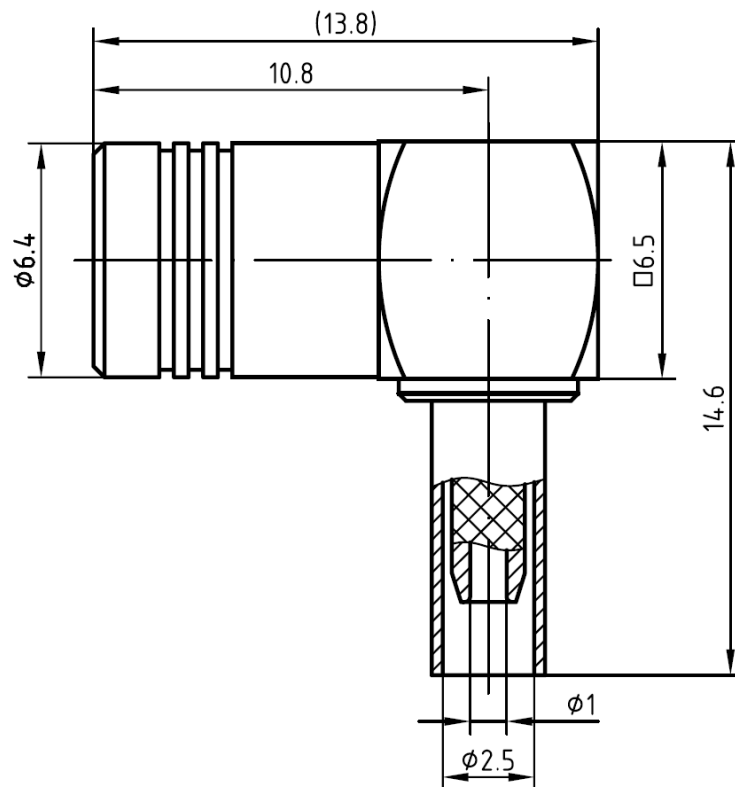
##### Surface Plating( $\mu\text{m}$ )

Gold 0.5 over Nickel 2.0  
Gold 0.2 over Nickel 2.0  
Nickel 7.0 over copper 2.0



## Coaxial Cable Connector: SMB-KW2

### Outline drawing



### Packaging

Standard

100/Box=10 Bag

Other

Contact us