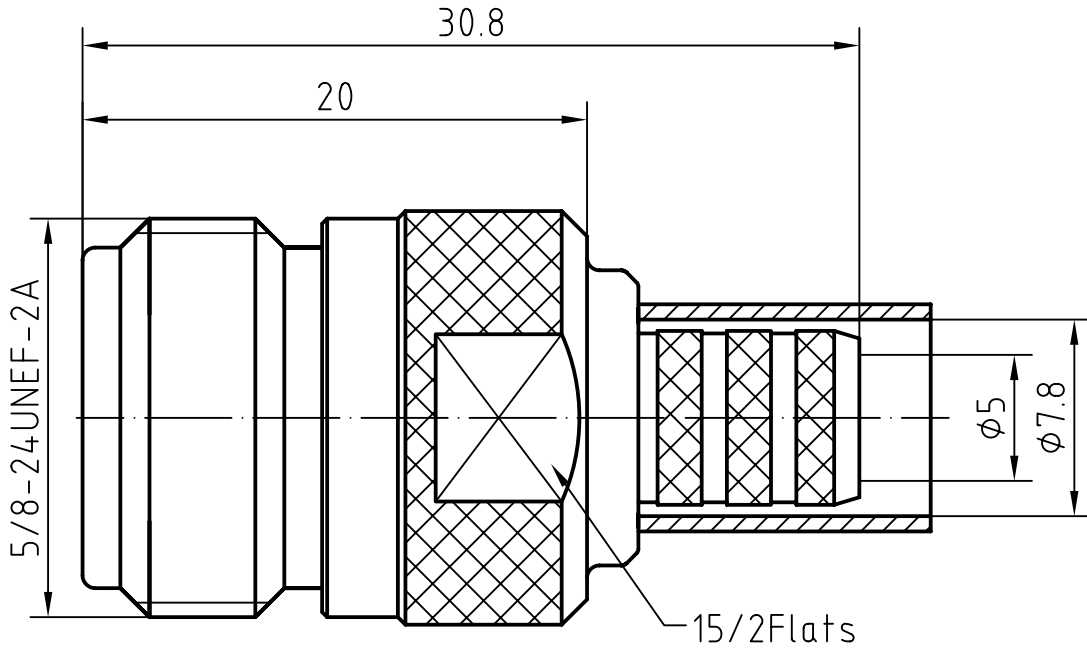


DRAWING



APPLY CABLE: LMR300

3	1	Body	Brass/Nickel plated	Nickel 7.0 over copper 2.0
2	1	Insulator	PTFE	
1	1	Center contact	Phosphor bronze/Gold plated	Gold 0.2 over Nickel 2.0

Designed by Mingang Han	Checked by Jinlong Gu	Approved by - date Hongyu Du	File name N-K300Y	Date 07.08.15	Scale 1:1
----------------------------	--------------------------	---------------------------------	----------------------	------------------	--------------

Amitron Electronics, Ltd.	N-K300Y			
	<a href="http://www.amel.ru">http://www.amel.ru</a>			Edition 1.0

## CHARACTERISTICS

DESCRIPTION: N Type female str connector

### Electrical data:

<i>Impedance:</i>	50 ohm
<i>Frequency range:</i>	DC to 11 GHz
<i>VSWR:</i>	$\leq 1.05 + 0.06 \times f$ [GHz], DC-6GHz
<i>Insertion loss:</i>	$\leq 0.25$ dB, DC-6GHz
<i>Insulation resistance:</i>	$\geq 5000$ M $\Omega$
<i>Test voltage:</i>	2500 V rms
<i>Working voltage:</i>	1400 V rms
<i>Contact resistance:</i>	
1). Centre contact:	1.0 m $\Omega$
2). Outer conductor:	0.25 m $\Omega$
<i>Power handling</i> (at 20 °C, sea level, VSWR 1.0):	1000 W @ 1 GHz 700 W @ 2 GHz
<i>RF-leakage:</i>	$\geq 128$ dB up to 1 GHz

- Limitations are possible due to the used cable type -

### Environmental data:

<i>Temperature rating:</i>	-65 ° C to +165 ° C
<i>2002/95/EC (RoHS):</i>	Compliant

### Mechanical data:

<i>Mating cycles:</i>	$\geq 500$
<i>Coupling nut retention:</i>	$\geq 450$ N
<i>Coupling test torque:</i>	$\leq 1.7$ Nm
<i>Recommended torque:</i>	0.7 Nm to 1.1 Nm

### Suitable cables:

LMR300