

Coaxial N Series Adapter: N-50KJK

Description

T-Adaptor N jack (female) / N plug (male) / N jack (female)

Interface standards

MIL-C-39012

Technical Data

Electrical Data

Impedance	50Ω
Interface frequency max.	6 GHz
VSWR	$1.05+0.05 \times f$ (GHz) max
Voltage rating	1000 V(rms)
Test voltage	1500 V(rms)
Contact resistance:	
Center conductor	$\leq 1 \text{ m}\Omega$
Out conductor	$\leq 0.2 \text{ m}\Omega$
Insulation resistance	$\geq 5000 \text{ M}\Omega$

Mechanical Data

Weight	84.9 g
Durability	500 Cycles

Environmental Data

Operating Temperature	-65 °C to 165 °C
-----------------------	------------------

Material Data

Piece Parts

Center contact	Phosphor Bronze/Brass
Body	Brass
Insulator	PTFE

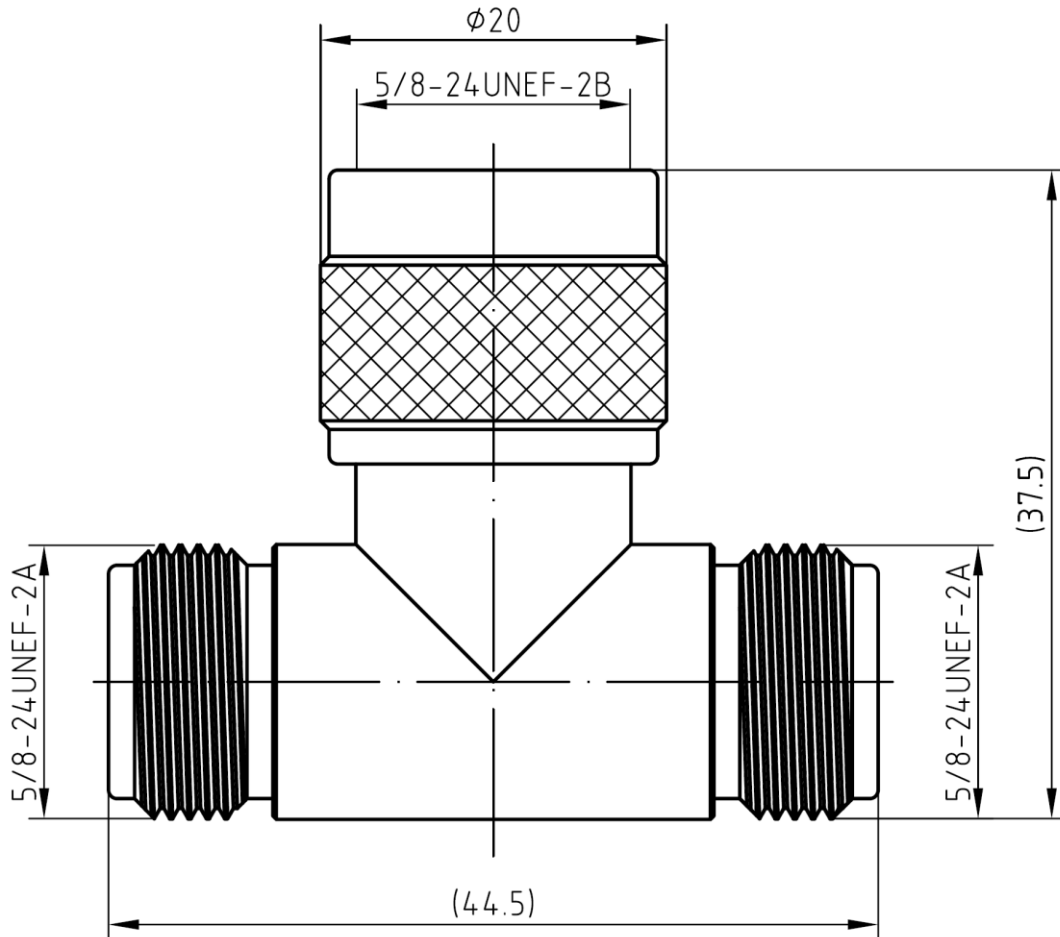


Surface Plating(μ m)

Gold 0.3 over Nickel 2.0
Nickel 7.0 over copper 2.0

Coaxial N Series Adapter: N-50KJK

Outline drawing



Packaging

Standard

50/Box=5 Bag

Other

Contact us