

## Coaxial Cable Connector: MCX-KY3A

### Description

MCX Straight bulkhead jack for Flexible cable RG316

### Interface standards

MIL-C-39012

### Technical Data

#### Electrical Data

|                          |                               |
|--------------------------|-------------------------------|
| Impedance                | 50 $\Omega$                   |
| Interface frequency max. | 6 GHz                         |
| VSWR                     | 1.10+0.05 $\times$ f(GHz) max |
| Voltage rating           | 335 V(rms)                    |
| Test voltage             | 750 V(rms)                    |
| Contact resistance:      |                               |
| Center conductor         | $\leq$ 5 m $\Omega$           |
| Out conductor            | $\leq$ 2.5 m $\Omega$         |
| Insulation resistance    | $\geq$ 1000M $\Omega$         |

#### Mechanical Data

|            |            |
|------------|------------|
| Weight     | 2.1 g      |
| Durability | 500 Cycles |

#### Environmental Data

|                       |                                      |
|-----------------------|--------------------------------------|
| Operating Temperature | -65 $^{\circ}$ C to 165 $^{\circ}$ C |
|-----------------------|--------------------------------------|

#### Material Data

##### Piece Parts

|                |                  |
|----------------|------------------|
| Center contact | Beryllium copper |
| Body           | Brass            |
| Crimp ferrules | Copper alloy     |
| Insulator      | PTFE             |

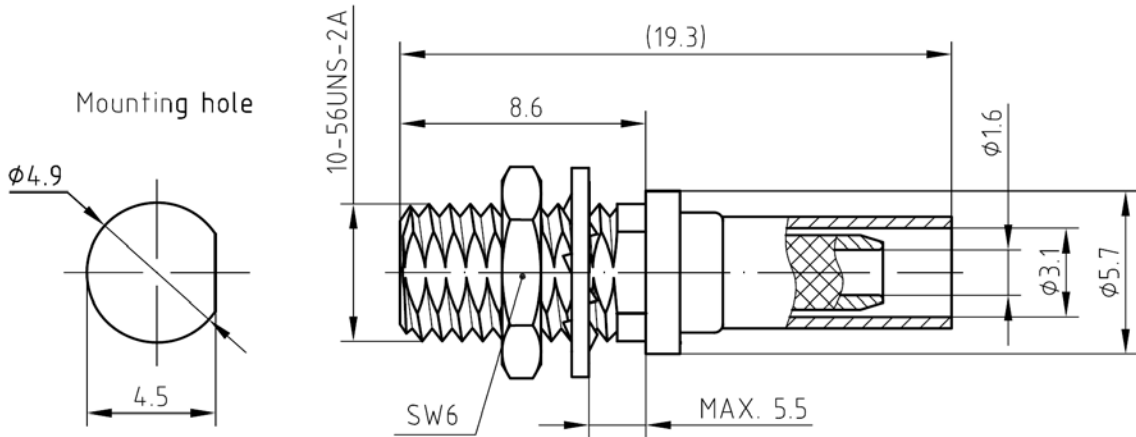


##### Surface Plating( $\mu$ m)

|                            |
|----------------------------|
| Gold 0.5 over Nickel 2.0   |
| Gold 0.2 over Nickel 2.0   |
| Nickel 7.0 over copper 2.0 |

# Coaxial Cable Connector: MCX-KY3A

## Outline drawing



## Packaging

Standard

Other

150/Box=15 Bag

Contact us