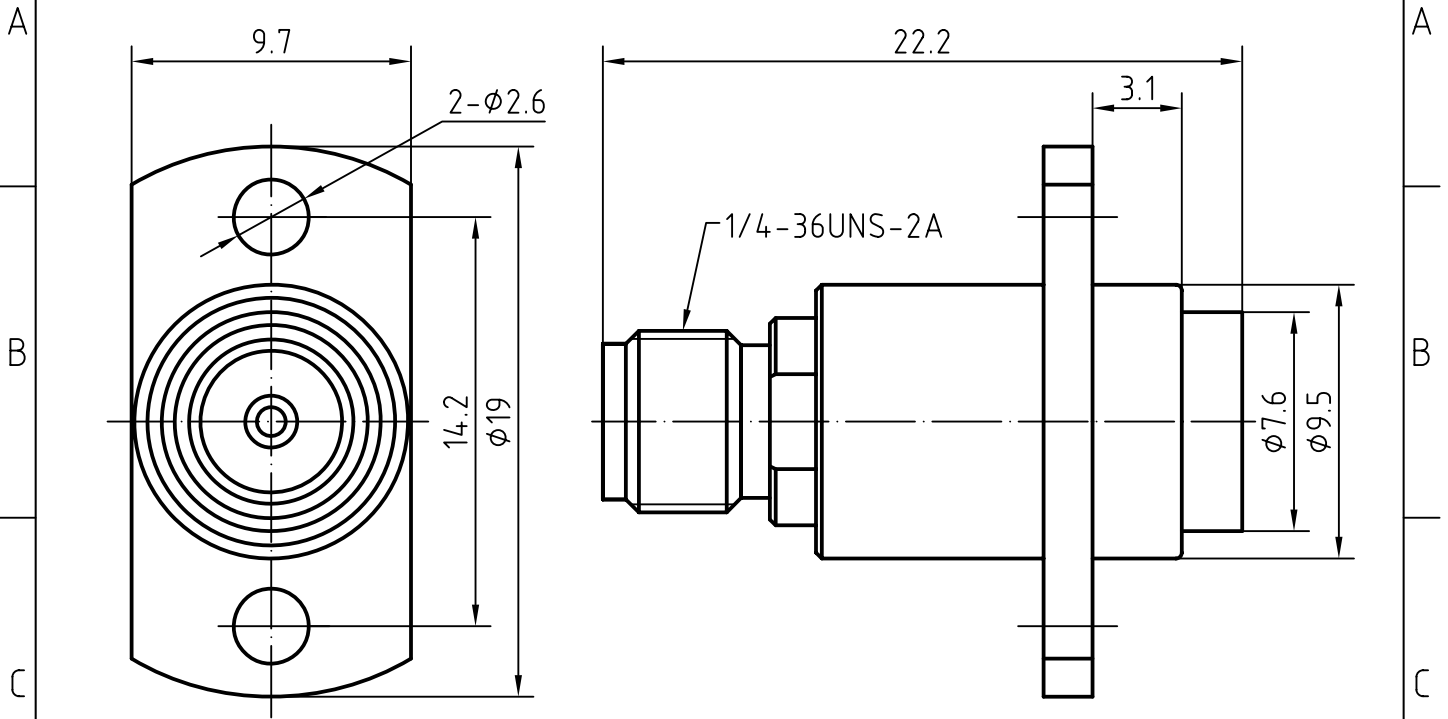
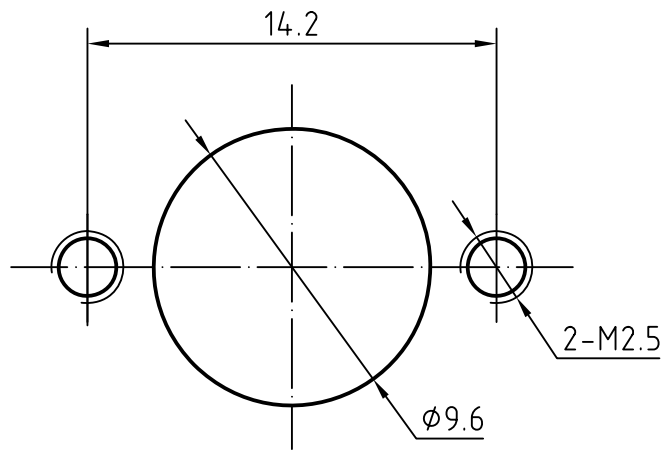


DRAWING



MOUNTING HOLE



5	1	Spring	65Mn/Nickel plated	Nickel 5um over Copper 2um
4	1	Body	Brass copper/Nickel plated	Nickel 5um over Copper 2um
3	1	Outer contact	Brass copper/Gold plated	Gold 0.2um over Nickel 2um
2	1	Insulator	PTFE	
1	1	Center contact	Beryllium copper/Gold plated	Gold 0.5um over Nickel 2um
Itemref	Quantity	Title/Name, designation, material, dimension etc		Article No./Reference

Designed by  
Mingang Han

Checked by  
Jinlong GU

Approved by - date  
Hongyu Du

File name  
SMA/BMA-KFK

Date  
08.05.21

Scale  
4 : 1

Amitron Electronics, Ltd.

SMA/BMA-KFK

<http://www.amel.ru>

Edition  
1.0

Sheet  
1/1

## CHARACTERISTICS

DESCRIPTION: SMA JACK TO BMA JACK FL ADAPTOR

### Electrical data:

<i>Impedance:</i>	50 ohm
<i>Frequency range:</i>	DC to 6 GHz
<i>VSWR:</i>	$\leq 1.25:1$
<i>Insertion loss:</i>	$\leq 0.15\text{dB}$
<i>Insulation resistance:</i>	$\geq 5000\text{M}\Omega$
<i>Test voltage:</i>	1000 V rms
<i>Working voltage:</i>	480 V rms
<i>Contact resistance:</i>	
1). Centre contact:	3 m $\Omega$ , SMA side      3 m $\Omega$ , BMA side
2). Outer conductor:	2.0 m $\Omega$ , SMA side      2.0 m $\Omega$ , BMA side
<i>Power handling (at 20 ° C, sea level, VSWR 1.0):</i>	$\leq 200\text{ W @ }2\text{ GHz}$

### Environmental data:

<i>Temperature rating:</i>	-55 ° C to +165 ° C
<i>2002/95/EC (RoHS):</i>	Compliant

### Mechanical data:

	SMA side	BMA side
<i>Mating cycles:</i>	$\geq 500$	$\geq 500$
<i>Center contact captivation:</i>	$\geq 27\text{ N(axial)}$	$\geq 27\text{ N(axial)}$
<i>Coupling test torque:</i>	$\leq 1.1\text{ Nm}$	N/A
<i>Recommended torque:</i>	0.46 Nm to 0.69 Nm	N/A

### Suitable cables:

N/A