

Coaxial Right Angle Bulkhead Connector: SMB-JWYA

Description

Right Angle bulkhead jack solder type

Interface standards

MIL-C-39012

Technical Data

Electrical Data

Impedance	50 Ω
Interface frequency max.	4 GHz
VSWR	1.05+0.06 \times f(GHz) max
Voltage rating	250 V(rms)
Test voltage	750 V(rms)
Contact resistance:	
Center conductor	≤ 6 m Ω
Out conductor	≤ 1.5 m Ω
Insulation resistance	≥ 1000 M Ω

Mechanical Data

Weight	3.8 g
Durability	500 Cycles

Environmental Data

Operating Temperature	-65 $^{\circ}$ C to 165 $^{\circ}$ C
-----------------------	--------------------------------------

Material Data

Piece Parts

Center contact	Brass
Body	Brass
Coupling nut	Brass
Insulator	PTFE

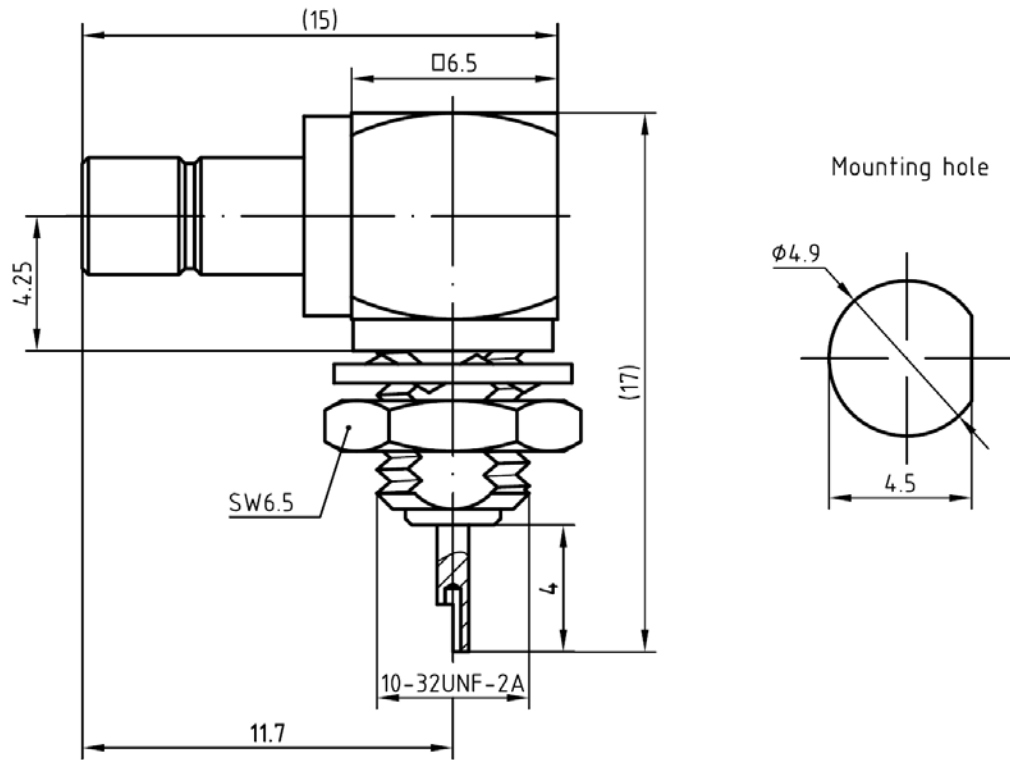
Surface Plating(μ m)

Gold 0.5 over Nickel 2.0
Gold 0.2 over Nickel 2.0
Gold 0.2 over Nickel 2.0



Coaxial Right Angle Bulkhead Connector: SMB-JWYA

Outline drawing



Packaging

Standard

150/Box=15 Bag

Other

Contact us