

DRAWING

A

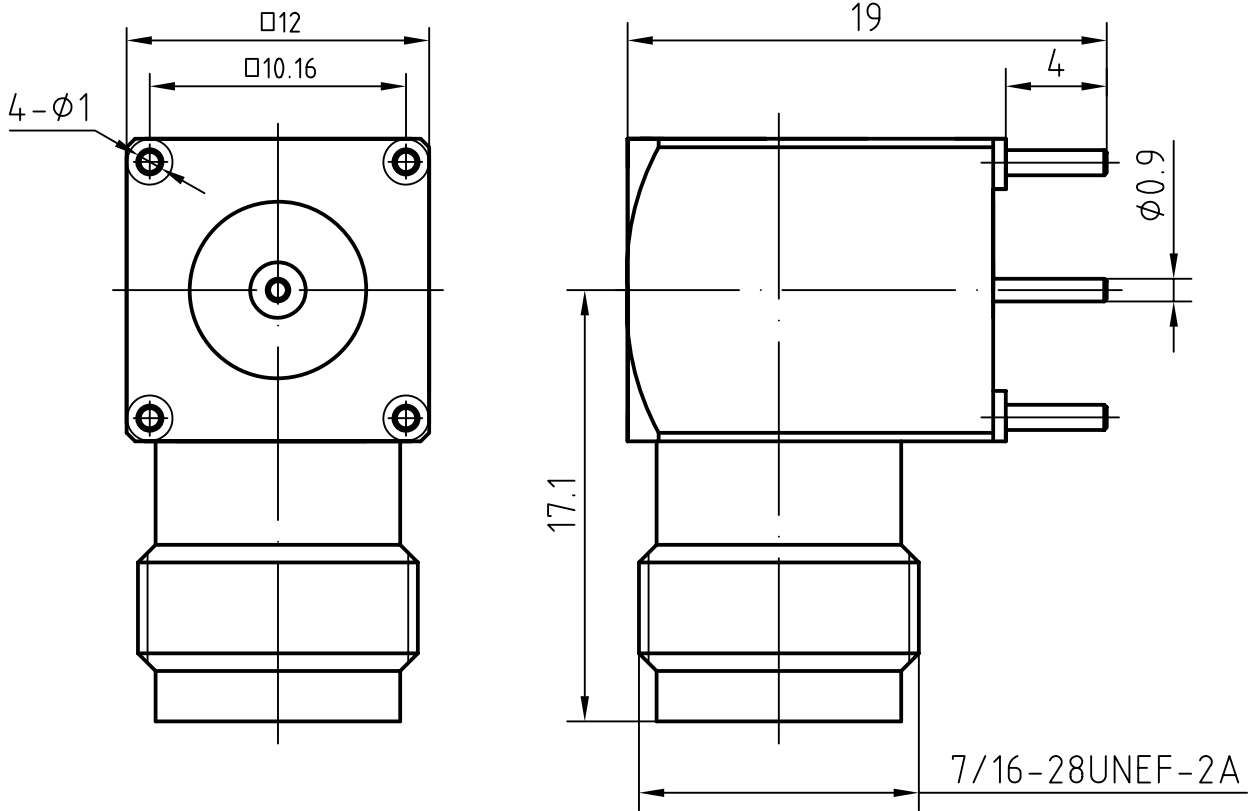
B

C

A

B

C



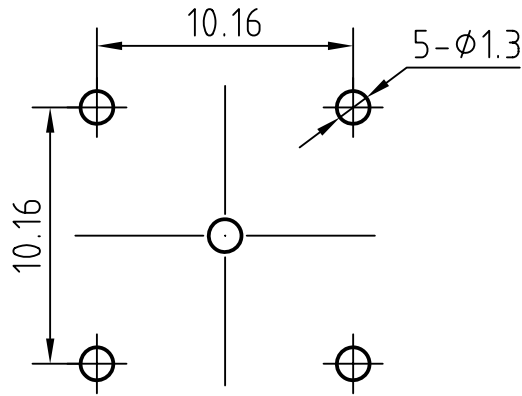
MOUNTING HOLE

D

E

D

E



3	1	Body	Brass/Nickel plated	Nickel 5um over Copper 2um
2	1	Insulator	PTFE	
1	1	Centor contact	Phosphor bronze/Gold plated	Gold 0.2um over Nickel 2um
Itemref	Quantity	Title/Name, designation, material, dimension etc		Article No./Reference

F

F

Designed by Mingang Han	Checked by Jinlong GU	Approved by - date Hongyu Du	File name TNC-KWHD	Date 08.12.20	Scale 5 : 1
Amitron Electronics, Ltd.			TNC-KWHD		
			http://www.amel.ru	Edition 1.0	Sheet 1/1

CHARACTERISTICS

DESCRIPTION: TNC Type female R/A connector for PCB

Electrical data:

<i>Impedance:</i>	50 ohm
<i>Frequency range:</i>	DC to 6 GHz
<i>VSWR:</i>	$\leq 1.3:1$
<i>Insertion loss:</i>	$\leq 0.25 \times \sqrt{f[\text{GHz}]} \text{ dB}$
<i>Insulation resistance:</i>	$\geq 5000\text{M}\Omega$
<i>Test voltage:</i>	1500 V rms
<i>Working voltage:</i>	500 V rms

Contact resistance:

1). Centre contact:	1.5 m Ω
2). Outer conductor:	1.0 m Ω

Environmental data:

<i>Temperature rating:</i>	-65 ° C to +165 ° C
2002/95/EC (RoHS)	Compliant

Mechanical data:

<i>Mating cycles:</i>	≥ 500
<i>Center contact captivation:</i>	$\geq 15 \text{ N(axial)}$
<i>Coupling test torque:</i>	$\leq 1.7 \text{ Nm}$
<i>Recommended torque:</i>	0.46 Nm to 0.69 Nm

Suitable cables:

N/A