

Coaxial Cable Connector: BNC-KY5Y

Description

Straight Bulkhead Jack for flexible cable 5/50S

Interface standards

MIL-C-39012

Technical Data

Electrical Data

Impedance	50 Ω
Interface frequency max.	4 GHz
VSWR	1.10+0.02 \times f(GHz) max
Voltage rating	500 V(rms)
Test voltage	1000 V(rms)
Contact resistance:	
Center conductor	$\leq 1.5\text{m } \Omega$
Out conductor	$\leq 1.0\text{m } \Omega$
Insulation resistance	$\geq 5000\text{M } \Omega$

Mechanical Data

Weight	19.5 g
Durability	500 Cycles

Environmental Data

Operating Temperature	-65 $^{\circ}\text{C}$ to 165 $^{\circ}\text{C}$
-----------------------	--------------------------------------------------

Material Data

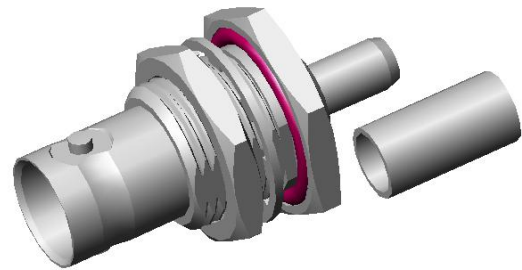
Piece Parts

Center contact	Phosphor bronze
Body	Brass
Other pieces	Brass
Gasket	Silicone Rubber
Insulator	PTFE

Material

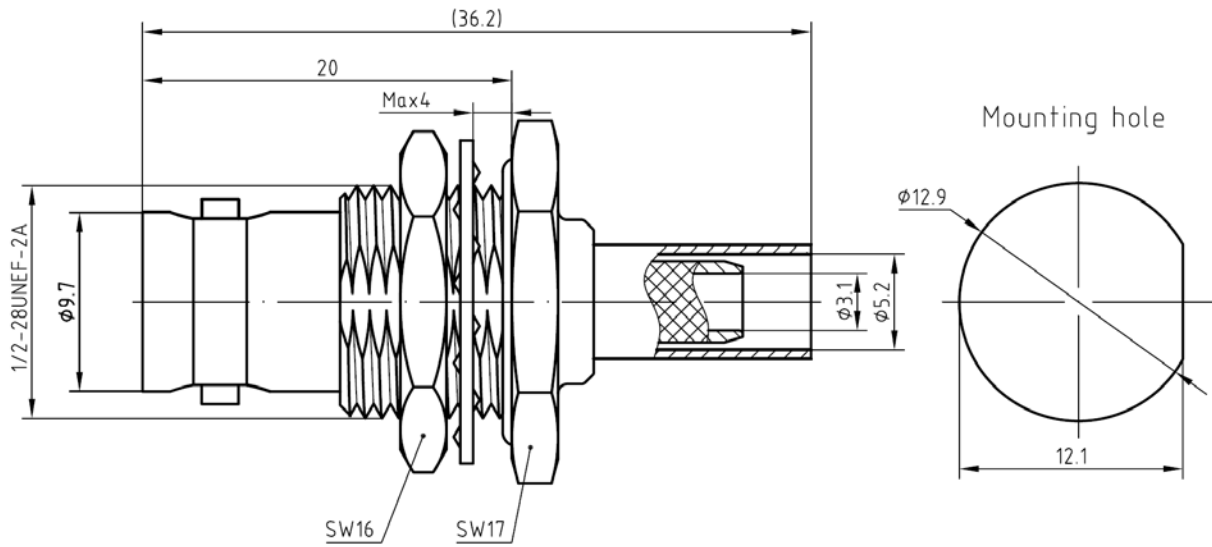
Surface Plating(μm)

Gold 0.3 over copper 2.0
Nickel 7.0 over copper 2.0
Nickel 7.0 over copper 2.0



Coaxial Cable Connector: BNC-KY5Y

Outline drawing



Packaging

Standard

100/Box=10 Bag

Other

Contact us