

Coaxial Straight Flange Connector: RF6-KFB3

Description

Straight 2 holes flange jack solder type cable .141

Interface standards

Γ O C T 20265

Technical Data

Electrical Data

| | |
|--------------------------|----------------------|
| Impedance | 50 Ω |
| Interface frequency max. | 18 GHz |
| VSWR | 1.05+0.02×f(GHz) max |
| Voltage rating | 500 V(rms) |
| Test voltage | 1000 V(rms) |
| Contact resistance: | |
| Center conductor | ≤3m Ω |
| Out conductor | ≤2m Ω |
| Insulation resistance | ≥5000M Ω |

Mechanical Data

| | |
|----------------------------|-------------|
| Center contact retention | |
| Axial force – Mating end | NA N min |
| Axial force – Opposite end | NA N min |
| Torque | NA N.cm min |
| Weight | 1.80g |
| Durability | 500 Cycles |

Environmental Data

| | |
|-----------------------|------------------|
| Operating Temperature | -65 °C to 165 °C |
|-----------------------|------------------|

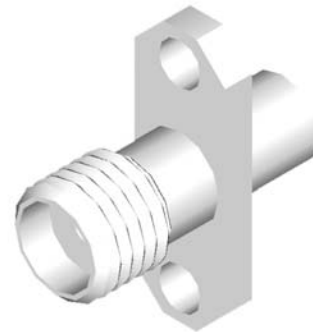
Material Data

Piece Parts

| | |
|----------------|------------------|
| Body | Brass |
| Center contact | Beryllium copper |
| Insulator | PTFE |

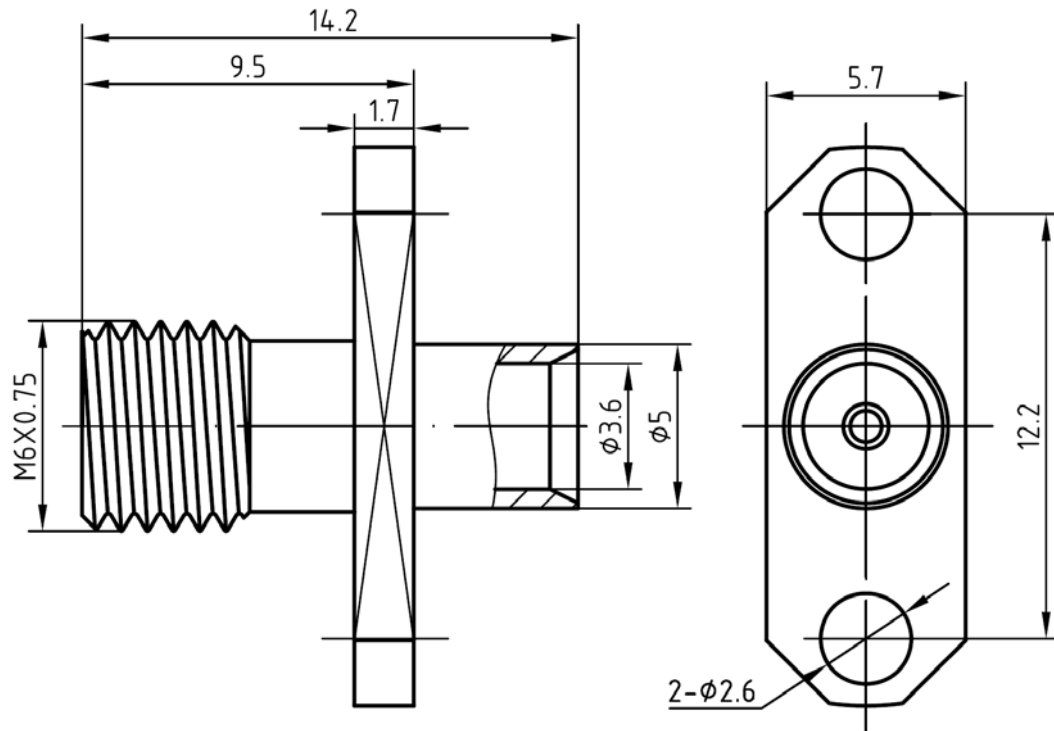
Surface Plating(μ m)

| |
|----------------------------|
| Silver 7.0 over copper 2.0 |
| Silver 7.0 over copper 2.0 |



Coaxial Straight Flange Connector: RF6-KFB3

Outline drawing



Packaging

Standard

200/Box=20Bag

Other

Contact us