

# Coaxial Right Angle PCB Connector: N-KYWHDA

## Description

N Type Right Angle Bulkhead jack receptacle for PCB solder legs

## Interface standards

MIL-C-39012

## Technical Data

### Electrical Data

Impedance	50 $\Omega$
Interface frequency max.	8 GHz
VSWR	1.08+0.05 $\times$ f (GHz) max
Voltage rating	1000 V(rms)
Test voltage	1500 V(rms)
Contact resistance:	
Center conductor	$\leq 1.0\text{m } \Omega$
Out conductor	$\leq 0.2\text{m } \Omega$
Insulation resistance	$\geq 5000\text{M } \Omega$

### Mechanical Data

Weight	58.5 g
Durability	500 Cycles

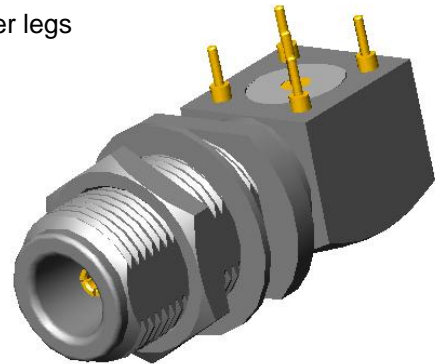
### Environmental Data

Operating Temperature	-65 $^{\circ}\text{C}$ to 165 $^{\circ}\text{C}$
-----------------------	--

### Material Data

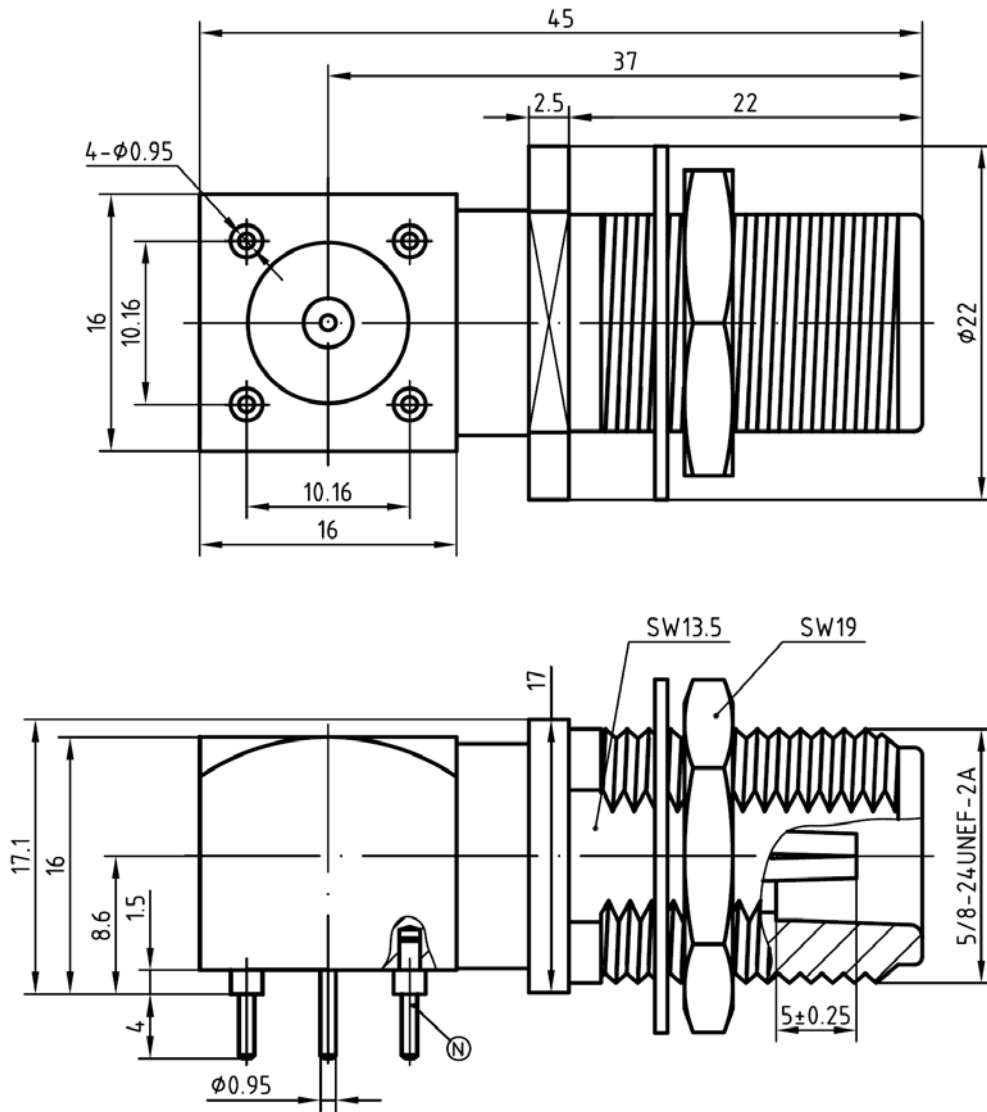
#### Piece Parts

	Material	Surface Plating( $\mu\text{m}$ )
Center contact	Phosphor bronze	Gold 0.3 over Nickel 2.0
Outer contact	Brass	White copper 4.0 over copper 1.0
Nut and Gasket	Brass	White copper 4.0 over copper 1.0
Pin (solder –see (N))	Brass	Gold 0.2 over Nickel 2.0
Insulator	PTFE	



# Coaxial Right Angle PCB Connector: N-KYWHDA

## Outline drawing



## Packaging

Standard

40/Box=4 Bag

Other

Contact us