

Coaxial Cable Connector: SMB-J2Y

Description

SMB Straight cable jack for Flexible cable 2/50S

Interface standards

MIL-C-39012

Technical Data

Electrical Data

Impedance	50 Ω
Interface frequency max.	4 GHz
VSWR	1.05+0.06 \times f(GHz) max
Voltage rating	250 V(rms)
Test voltage	750 V(rms)
Contact resistance:	
Center conductor	\leq 6m Ω
Out conductor	\leq 1.5m Ω
Insulation resistance	\geq 1000M Ω

Mechanical Data

Weight	3.2 g
Durability	500 Cycles

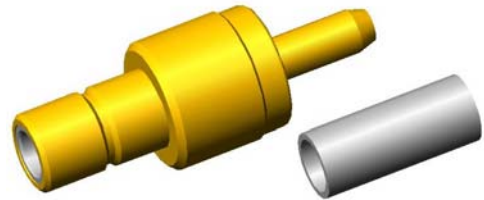
Environmental Data

Operating Temperature	-65 $^{\circ}$ C to 165 $^{\circ}$ C
-----------------------	--------------------------------------

Material Data

Piece Parts

Center contact	Brass
Body	Brass
Crimp ferrules	Brass
Insulator	PTFE

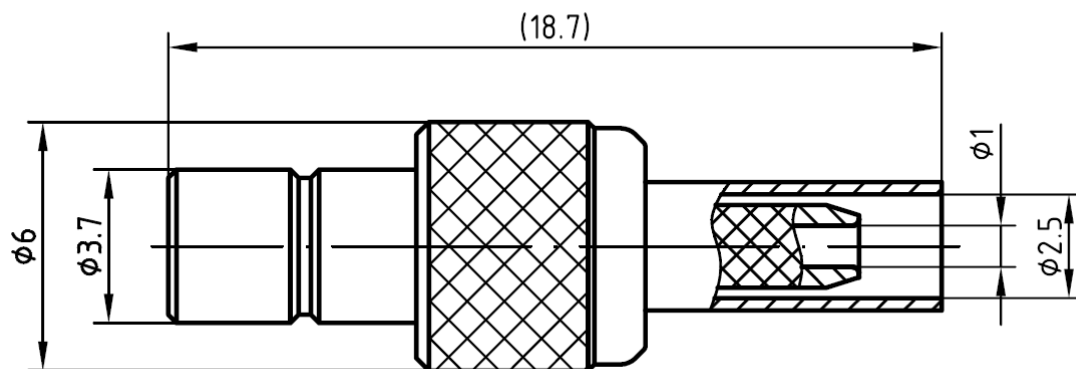


Surface Plating(μ m)

Center contact	Gold 0.5 over Nickel 2.0
Body	Gold 0.2 over Nickel 2.0
Crimp ferrules	Nickel 7.0 over copper 2.0

Coaxial Cable Connector: SMB-J2Y

Outline drawing



Packaging

Standard

150/Box=15 Bag

Other

Contact us