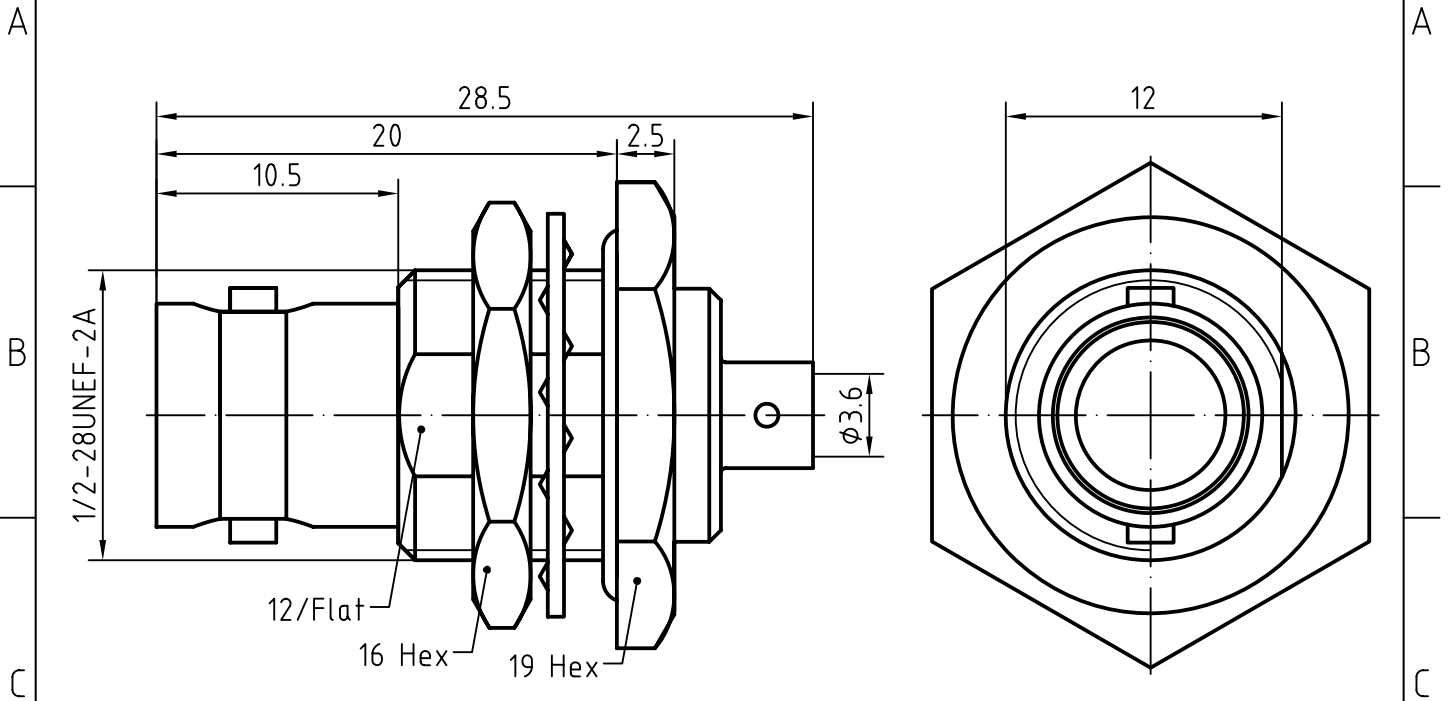
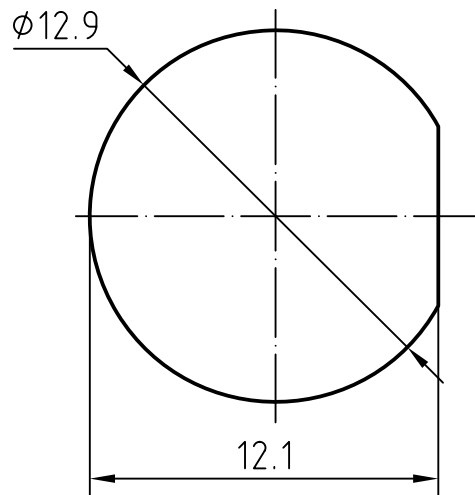
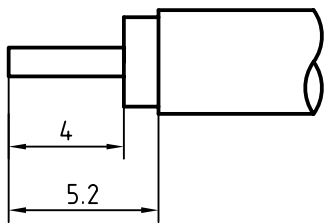


DRAWING



CABLE(UT141,RG402,670-141)



3	1	Body	Brass/Neckel plated	Nickel 5um over Copper 2um
2	1	Insulator	PTFE	
1	1	Centor contactor	Phosphor bronze/Gold plated	Gold 0.2um over Nickel 2um
Itemref	Quantity	Title/Name, designation, material, dimension etc		Article No./Reference

Designed by Mingang Han	Checked by Jinlong GU	Approved by - date Hongyu Du	File name BNC-KYB3	Date 06.10.08	Scale 1:1
----------------------------	--------------------------	---------------------------------	-----------------------	------------------	--------------

Amitron Electronics, Ltd.	BNC-KYB3			
	http://www.amel.ru	Edition 1.0	Sheet 1/1	

CHARACTERISTICS

DESCRIPTION:

SMA Female str for PCB solder legs

Electrical data:

<i>Impedance:</i>	50 ohm
<i>Frequency range:</i>	DC to 4 GHz
<i>VSWR:</i>	$\leq 1.08 + 0.04 \times f [\text{GHz}]$
<i>Insertion loss:</i>	$\leq 0.06 \times \sqrt{f} [\text{GHz}] \text{ dB}$
<i>Insulation resistance:</i>	$\geq 5000 \text{ M}\Omega$
<i>Test voltage:</i>	1500 V rms
<i>Working voltage:</i>	400 V rms
<i>Contact resistance:</i>	
1). Centre contact:	1.5 m Ω
2). Outer conductor:	1.0 m Ω
<i>Power handling</i> (at 20 °C, sea level, VSWR 1.0):	80 W @ 2 GHz

Environmental data:

<i>Temperature rating:</i>	-65 ° C to +165 ° C
<i>52/95/EC (RoHS):</i>	Compliant

Mechanical data:

<i>Mating cycles:</i>	≥ 500
<i>Center contact captivation:</i>	$\geq 15 \text{ N(axial)}$

Suitable cables:

UT141, RG402, 670-141