

# Coaxial Cable Connector: N-K3Y

Rev :A 1/2

## Description

Straight jack for flexible cable 2.5/3/50S

## Interface standards

MIL-C-39012

## Technical Data

### Electrical Data

|                          |                                |
|--------------------------|--------------------------------|
| Impedance                | 50 $\Omega$                    |
| Interface frequency max. | 8 GHz                          |
| VSWR                     | 1.05+0.06 $\times$ f (GHz) max |
| Voltage rating           | 1000 V(rms)                    |
| Test voltage             | 1500 V(rms)                    |
| Contact resistance:      |                                |
| Center conductor         | $\leq 1.0\text{m } \Omega$     |
| Out conductor            | $\leq 0.2\text{m } \Omega$     |
| Insulation resistance    | $\geq 5000\text{M } \Omega$    |

### Mechanical Data

|            |            |
|------------|------------|
| Weight     | 45 g       |
| Durability | 500 Cycles |

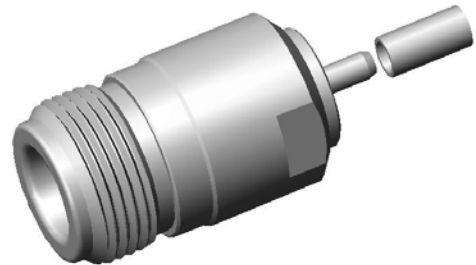
### Environmental Data

|                       |  |
|-----------------------|--|
| Operating Temperature | -65 $^{\circ}\text{C}$ to 165 $^{\circ}\text{C}$ |
|-----------------------|--|

### Material Data

#### Piece Parts

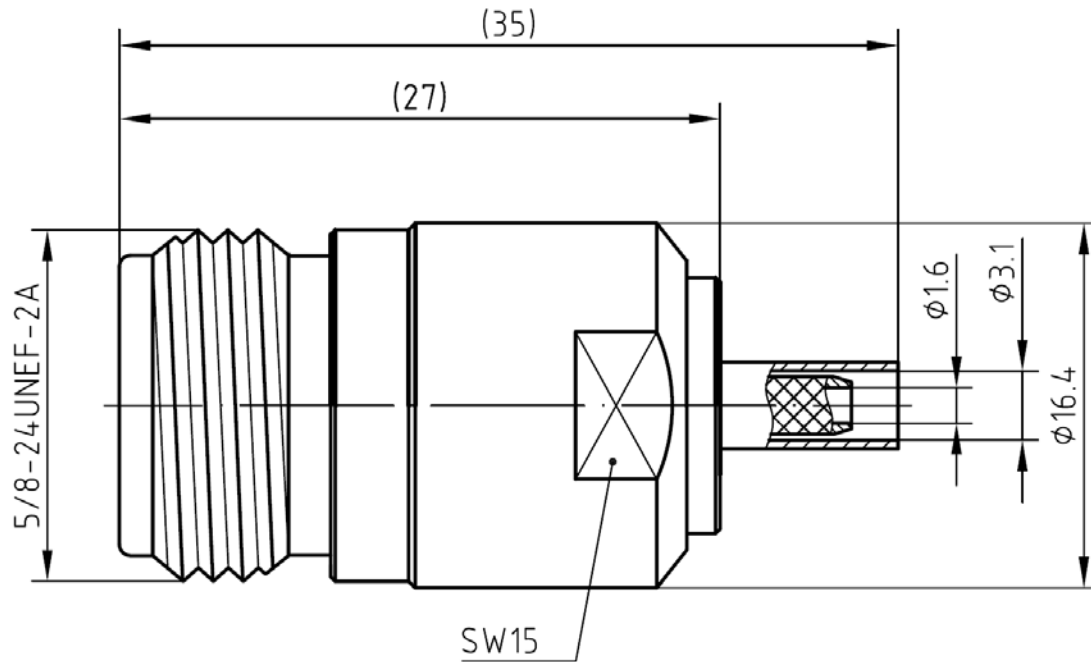
| Piece Parts    | Material         | Surface Plating( $\mu\text{m}$ ) |
|----------------|------------------|----------------------------------|
| Center contact | Beryllium copper | Gold 0.3 over Nickel 2.0         |
| Body           | Brass            | Nickel 7.0 over copper 2.0       |
| Gasket         | Silicone Rubber  |                                  |
| Insulator      | PTFE             |                                  |
| Other pieces   | Brass            | Nickel 7.0 over copper 2.0       |



# Coaxial Cable Connector: N-K3Y

Rev :A 2/2

## Outline drawing



## Packaging

Standard

50/Box=5 Bag

Other

Contact us