

## Coaxial Cable Connector: SMB-K3Y

### Description

SMB Straight cable plug for Flexible cable RG316

### Interface standards

MIL-C-39012

### Technical Data

#### Electrical Data

|                          |                               |
|--------------------------|-------------------------------|
| Impedance                | 50 $\Omega$                   |
| Interface frequency max. | 4 GHz                         |
| VSWR                     | 1.08+0.05 $\times$ f(GHz) max |
| Voltage rating           | 250 V(rms)                    |
| Test voltage             | 750 V(rms)                    |
| Contact resistance:      |                               |
| Center conductor         | $\leq 6\text{m } \Omega$      |
| Out conductor            | $\leq 1.5\text{m } \Omega$    |
| Insulation resistance    | $\geq 1000\text{M } \Omega$   |

#### Mechanical Data

|            |            |
|------------|------------|
| Weight     | 3.0 g      |
| Durability | 500 Cycles |

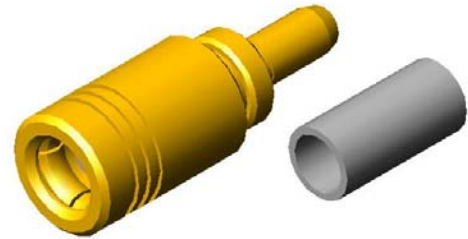
#### Environmental Data

|                       |  |
|-----------------------|--|
| Operating Temperature | -65 $^{\circ}\text{C}$ to 165 $^{\circ}\text{C}$ |
|-----------------------|--|

#### Material Data

##### Piece Parts

|                |                  |
|----------------|------------------|
| Center contact | Beryllium copper |
| Body           | Brass            |
| Crimp ferrules | Brass            |
| Insulator      | PTFE             |

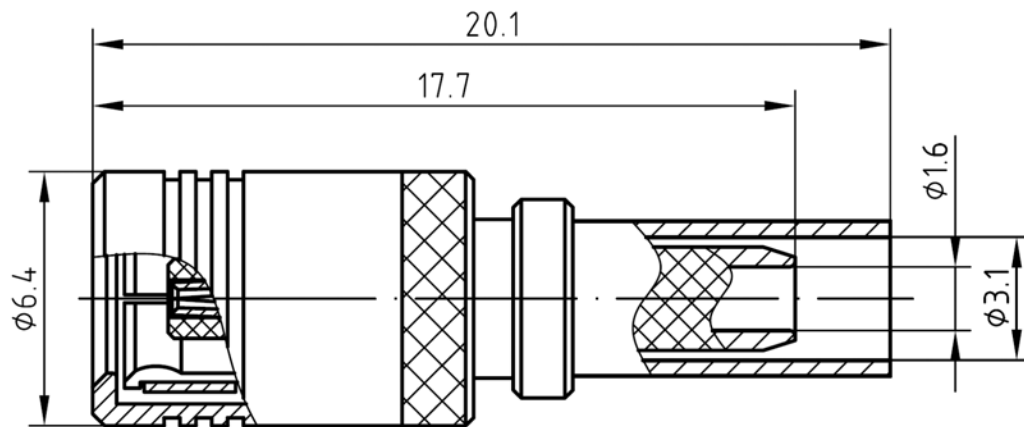


##### Surface Plating( $\mu\text{m}$ )

|                            |
|----------------------------|
| Gold 0.5 over Nickel 2.0   |
| Gold 0.2 over Nickel 2.0   |
| Nickel 7.0 over copper 2.0 |

## Coaxial Cable Connector: SMB-K3Y

### Outline drawing



### Packaging

Standard

100/Box=10 Bag

Other

Contact us