

Coaxial Straight Flange Connector: SMA-KF5D

Description

Straight square flange jack for Flexible cable 5/50D

Interface standards

MIL-C-39012

Technical Data

Electrical Data

Impedance	50 Ω
Interface frequency max.	12.4 GHz
VSWR	1.10+0.025 \times f(GHz) max
Voltage rating	500 V(rms)
Test voltage	1000 V(rms)
Contact resistance:	
Center conductor	≤ 3 m Ω
Out conductor	≤ 2 m Ω
Insulation resistance	≥ 5000 M Ω

Mechanical Data

Weight	4.5 g
Durability	500 Cycles

Environmental Data

Operating Temperature	-65 $^{\circ}$ C to 165 $^{\circ}$ C
-----------------------	--------------------------------------

Material Data

Piece Parts

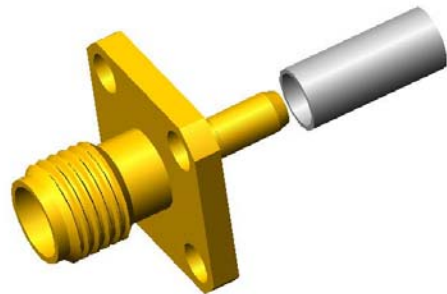
Center contact
Body
Insulator
Crimp ferrules

Material

Beryllium copper
Brass
PTFE
Brass

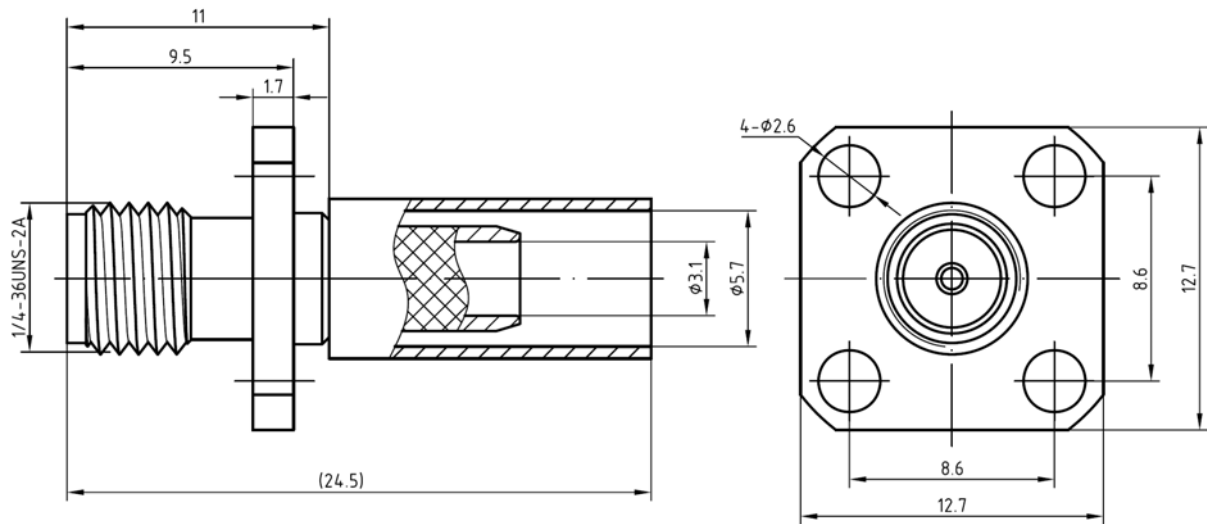
Surface Plating(μ m)

Gold 0.5 over Nickel 2.0
Gold 0.2 over Nickel 2.0
Nickel 7.0 over copper 2.0



Coaxial Straight Flange Connector: SMA-KF5D

Outline drawing



Packaging

Standard

100/Box=10 Bag

Other

Contact us