

Coaxial Straight Flange Connector: SMA-KFD76AG

Description

Straight panel receptacle jack (female), flange mount

Interface standards

MIL-C-39012

Technical Data

Electrical Data

Impedance	50 Ω
Interface frequency max.	18 GHz
VSWR	1.05+0.01 \times f(GHz) max
Voltage rating	500 V(rms)
Test voltage	1000 V(rms)
Contact resistance:	
Center conductor	$\leq 3\text{m } \Omega$
Out conductor	$\leq 2\text{m } \Omega$
Insulation resistance	$\geq 5000\text{M } \Omega$

Mechanical Data

Weight	3.5 g
Durability	500 Cycles

Environmental Data

Operating Temperature	-65 $^{\circ}\text{C}$ to 165 $^{\circ}\text{C}$
-----------------------	--

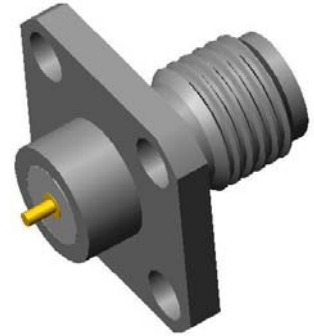
Material Data

Piece Parts

Body	Stainless steel
Center contact	Beryllium copper
Insulator	PTFE

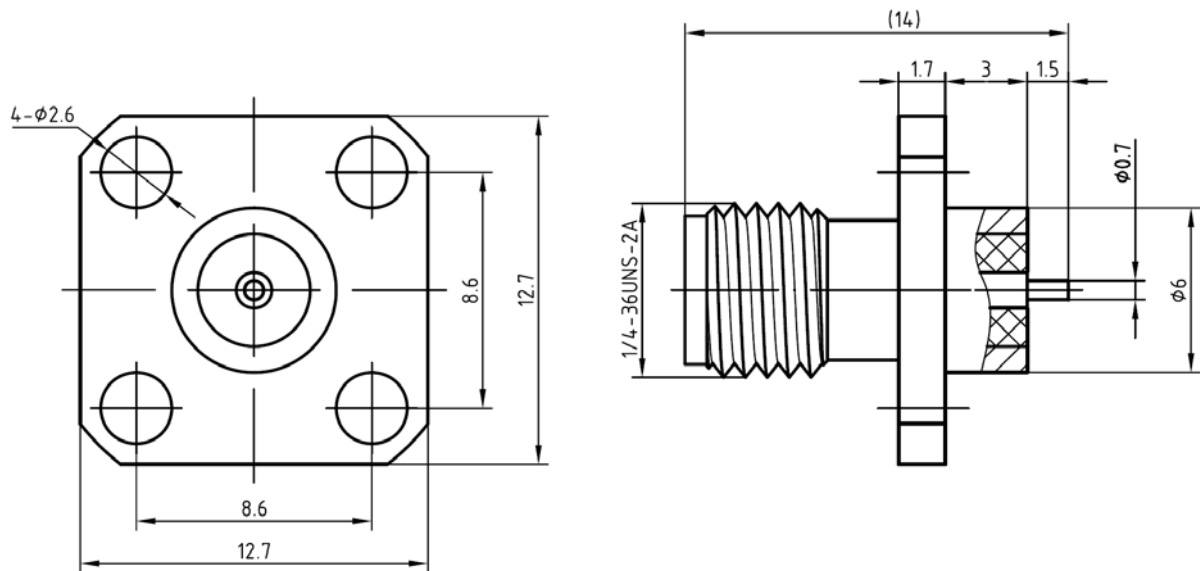
Surface Plating(μm)

Passivated
Gold 0.5 over Nickel 2.0



Coaxial Straight Flange Connector: SMA-KFD76AG

Outline drawing



Packaging

Standard

100/Box=10 Bag

Other

Contact us